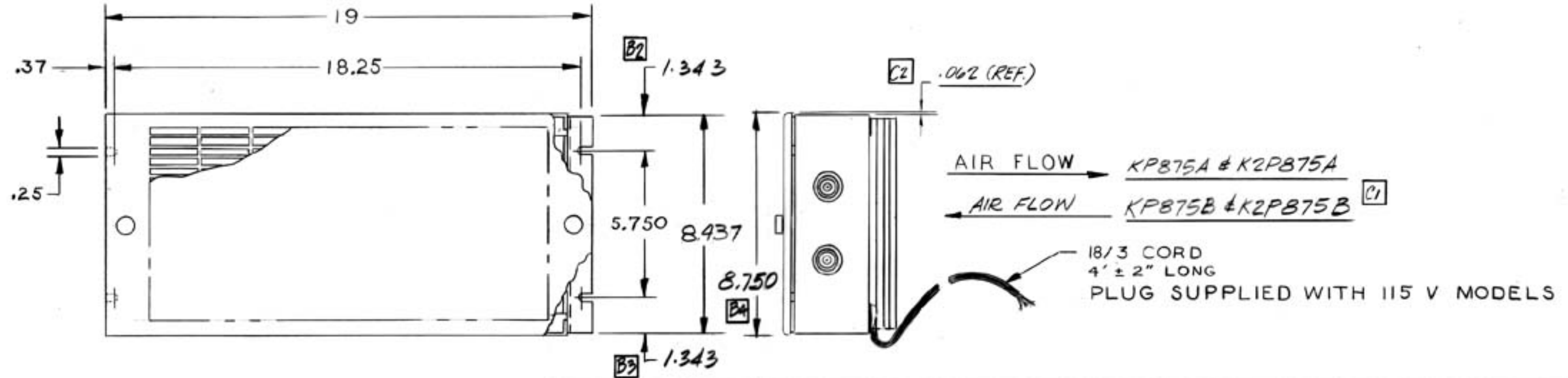
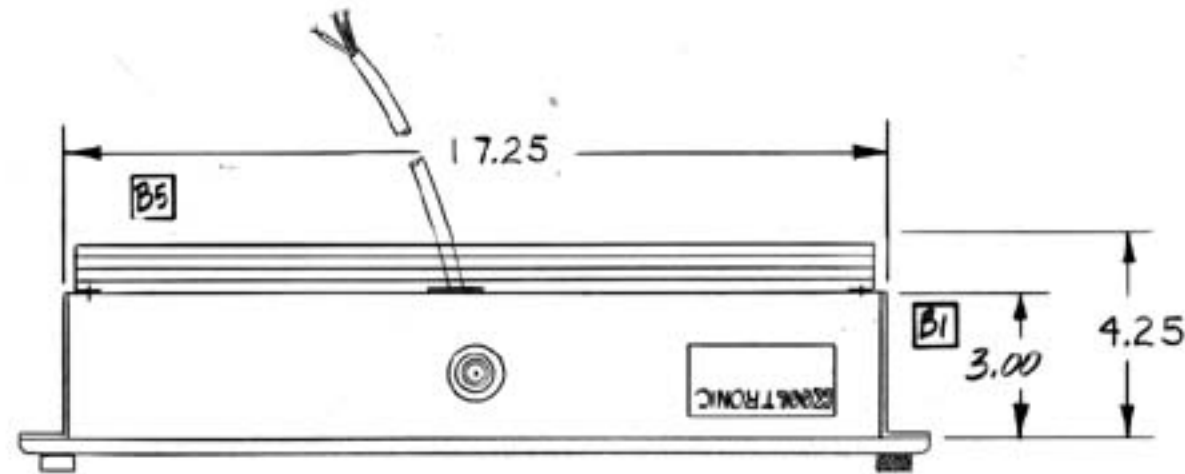


THIS DOCUMENT IS THE PROPERTY OF KOOLTRONIC, INC. AND CONTAINS PROPRIETARY AND CONFIDENTIAL INFORMATION WHICH MUST NOT BE DUPLICATED, USED OR DISCLOSED OTHER THAN AS EXPRESSLY AUTHORIZED BY KOOLTRONIC, INC.

REVISIONS

SYM	NOTICE	DESCRIPTION	DATE	APPROVED
—	EC81/177	NEW RELEASE	6/11/81	BS
A	EC83/217	2.970 WAS 3.00 1.338 WAS 1.43 8.437 WAS 8.62 ADDED 8.645	9/15/83	FAH/JT
B	EL85/88	B1 WAS 2.970, B2 WAS 1.338, B3 WAS 1.43 B4 WAS 8.645, B5 NEW GUARD ARRGT.	5/10/85	JT
C	EC87/15	C1 ADDED AIR-FLOW DIRECTION ON KP875B UNITS C2 PICTORIALY SHOW GRILLE LAPS FAN BOX BY .062	3/10/87	JT JR



UNLESS OTHERWISE SPECIFIED, TOLERANCES NON-ACCUMULATIVE				DRAWN BS DATE 6/11/81		KOOLTRONIC, INC. HOPEWELL, N.J. - VENTURA, CALIF. U.S.A.	
TOL. ON	INCHES	MM	CHECKED	JD	7/22/81	TITLE GENERAL ARRANGEMENT PACKAGED TWIN FAN	
XX	± .03	±	ENG.			CODE IDENT. NO. SIZE DWG. NO. REV. 06223 B 3179-01-00 C	
XXX	± .020	±	MFG. ENG.			SCALE NTS UNIT WT. SHEET 1 OF 1	
ANGULAR		± °	REV. B JT				
NEXT ASSEMBLY	MATERIAL		APPROVED [Signature]	7/23/81			
UNIT KP875A & B K2P875A & B	FINISH GRAY HAMMERTONE						