

# KBB4E250/56 BACKWARD CURVED IMPELLER BLOWER



KBB4E250/56

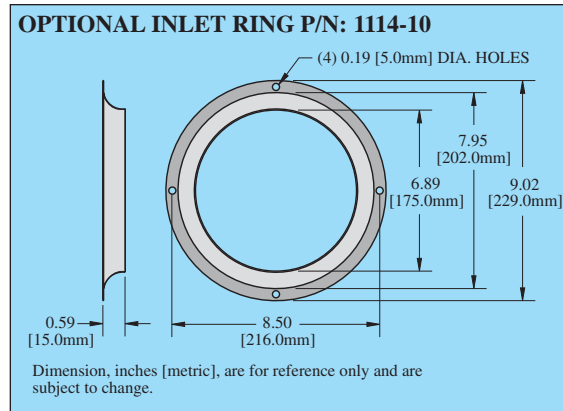
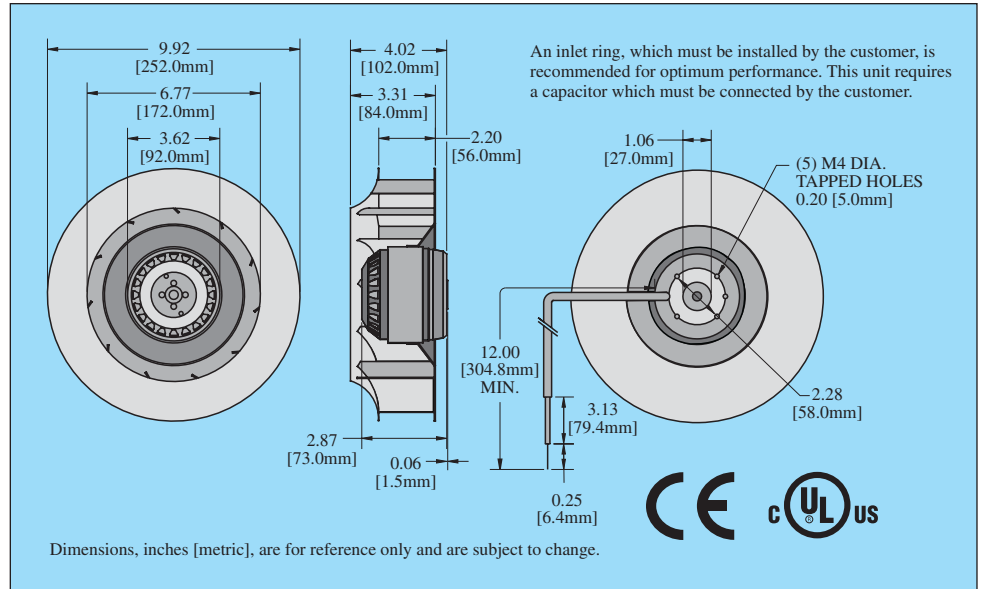
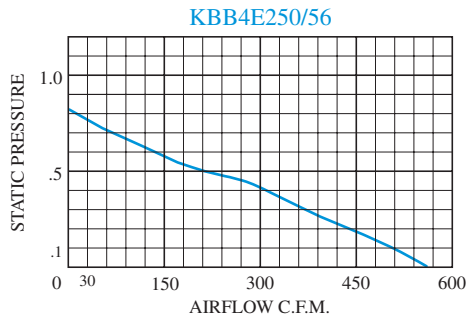
## STANDARD FEATURES

Low noise level  
540 CFM capacity  
Available in 115 and 230 VAC  
Compact size  
Precision balanced  
External rotor design  
Precision ball-bearing motors  
UL and CE approved

## TECHNICAL DATA\*

Model	CFM@ 0" S.P.	Cutoff S.P.	Amps	Watts
KBB4E250/56	540	0.81	2.17	256

\*60 Hz. operation.



Airflow vs. static pressure curves are shown for 60 Hz input.

## CONVERSION FACTORS

Multiply airflow in cubic feet per minute (CFM) by:

- 1.7 to obtain airflow in cubic meters per hour (m<sup>3</sup>/hr.)
- 0.47 to obtain airflow in liters per second (L/S)

Multiply static pressure in inches of water ("H<sub>2</sub>O) by:

- 25.4 to obtain static pressure in millimeters of water (mm H<sub>2</sub>O)
- 249 to obtain static pressure in Pascals (Pa)

## HOW TO ORDER

Specify model number:

115 VAC: KBB4E250/56

230 VAC: K2BB4E250/56

For assistance in model selection, refer to the Blower and Fan Selection Guides, or contact **KOOLTRONIC**.

CALL 1-800-321-KOOL (5665)  
or FAX 609-466-1114

**POPULAR MODELS ARE  
STOCKED AND READY  
TO SHIP**

## TYPICAL INSTALLATION

