

# KBB4E250/63 BACKWARD CURVED IMPELLER BLOWER



KBB4E250/63

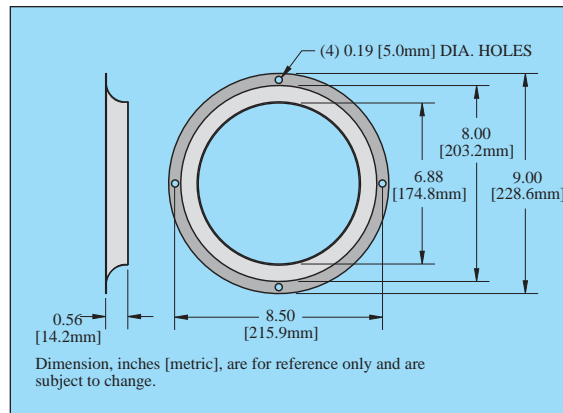
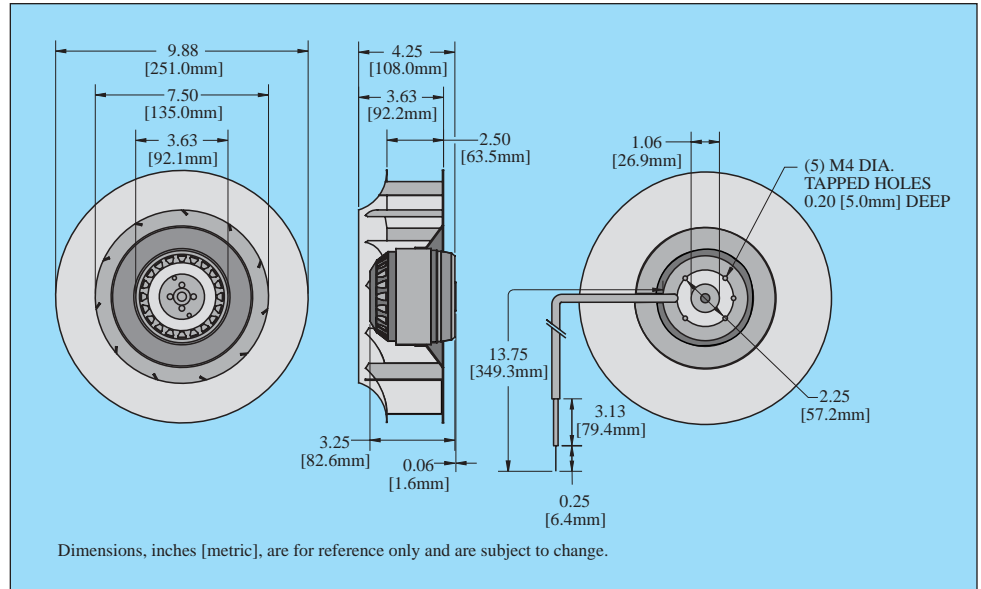
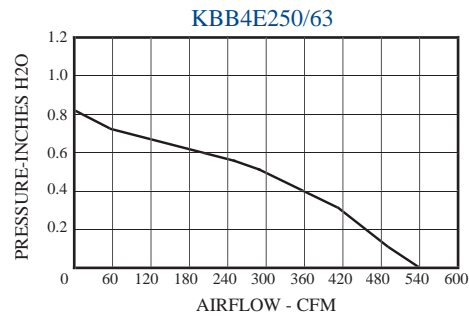
## STANDARD FEATURES

- Low noise level
- 540 CFM capacity
- Available in 115 and 230 VAC
- Compact size
- Precision balanced
- External rotor design
- Precision ball-bearing motors
- UL and CE approved

## TECHNICAL DATA\*

Model	CFM@ 0" S.P.	Cutoff S.P.	Amps	Watts
KBB4E250/63	540	0.81	0.71	77

\*60 Hz. operation.



## HOW TO ORDER

Specify model number.

For assistance in model selection, refer to the *Blower and Fan Selection Guides*, or contact **KOOLTRONIC**.

CALL 1-800-321-KOOL (5665)  
or FAX 609-466-1114

**POPULAR MODELS ARE  
STOCKED AND READY  
TO SHIP**

Airflow vs. static pressure curves are shown for 60 Hz input.

## CONVERSION FACTORS

Multiply airflow in cubic feet per minute (CFM) by:

- 1.7 to obtain airflow in cubic meters per hour (m<sup>3</sup>/hr.)
- 0.47 to obtain airflow in liters per second (L/S)

Multiply static pressure in inches of water ("H<sub>2</sub>O) by:

- 25.4 to obtain static pressure in millimeters of water (mm H<sub>2</sub>O)
- 249 to obtain static pressure in Pascals (Pa)

## TYPICAL INSTALLATION

