

# KBB4E280/80 BACKWARD CURVED IMPELLER BLOWER



KBB4E280/80

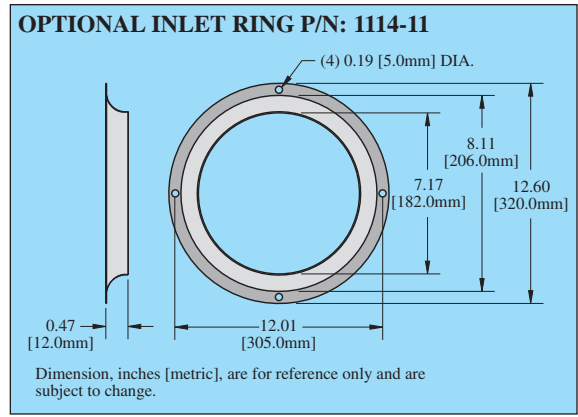
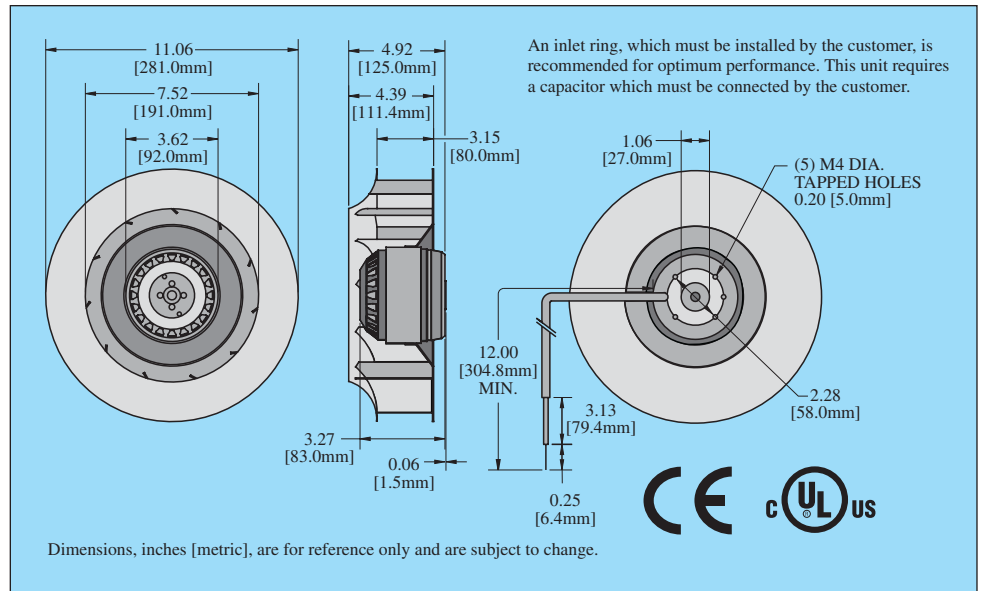
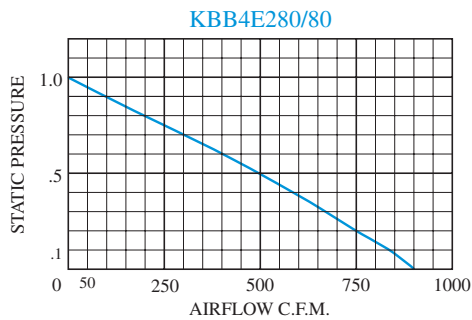
## STANDARD FEATURES

- Low noise level
- 900 CFM capacity
- Available in 115 and 230 VAC
- Compact size
- Precision balanced
- External rotor design
- Precision ball-bearing motors
- UL and CE approved

## TECHNICAL DATA\*

Model	CFM@ 0" S.P.	Cutoff S.P.	Amps	Watts
KBB4E280/80	900	1.00	0.89	98

\*60 Hz. operation.



## HOW TO ORDER

Specify model number:  
 115 VAC: KBB4E280/80  
 230 VAC: K2BB4E280/80

For assistance in model selection, refer to the Blower and Fan Selection Guides, or contact **KOOLTRONIC**.

**CALL 1-800-321-KOOL (5665)  
 or FAX 609-466-1114**

**POPULAR MODELS ARE STOCKED AND READY TO SHIP**

Airflow vs. static pressure curves are shown for 60 Hz input.

## CONVERSION FACTORS

- Multiply airflow in cubic feet per minute (CFM) by:
- 1.7 to obtain airflow in cubic meters per hour (m<sup>3</sup>/hr.)
  - 0.47 to obtain airflow in liters per second (L/S)
- Multiply static pressure in inches of water ("H<sub>2</sub>O) by:
- 25.4 to obtain static pressure in millimeters of water (mm H<sub>2</sub>O)
  - 249 to obtain static pressure in Pascals (Pa)

## TYPICAL INSTALLATION

