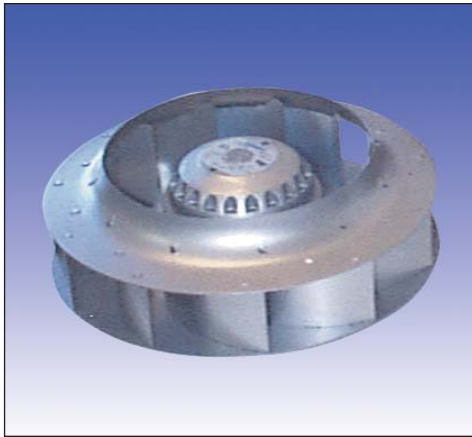


K7BBE225/40 & K8BBE225/40 BACKWARD CURVED IMPELLER BLOWER



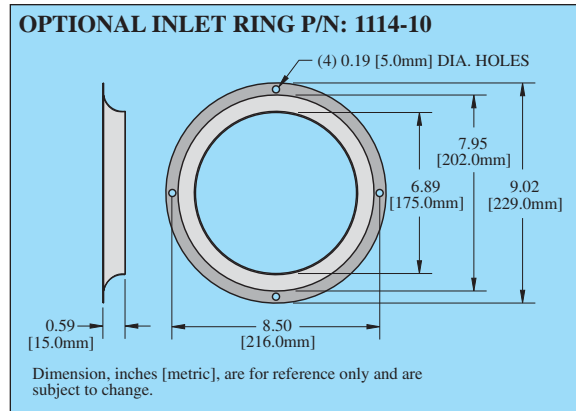
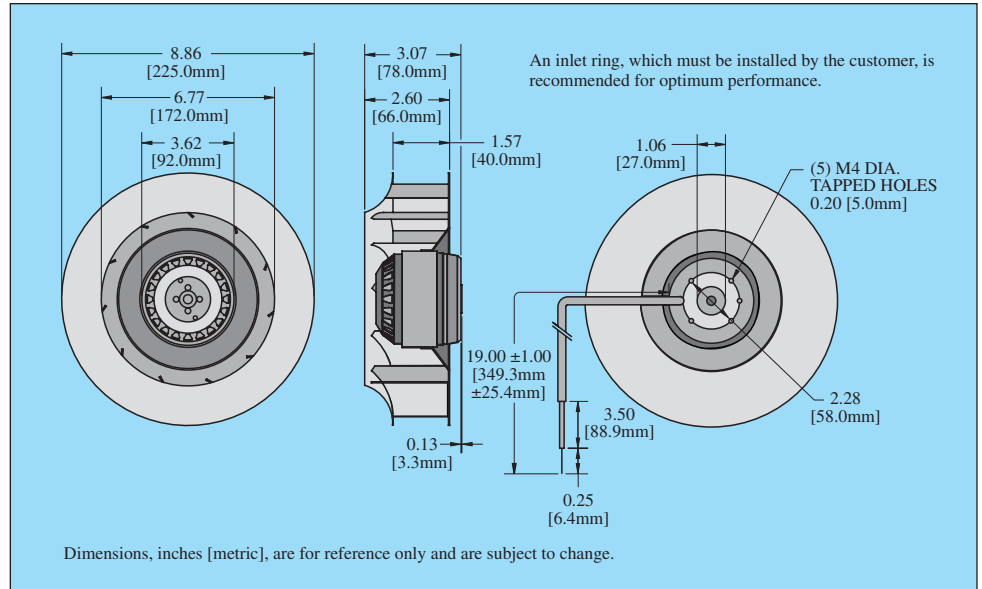
K7BBE195/35

STANDARD FEATURES

- Low noise level
- 472 & 483 CFM capacity
- Available in 24 and 48 VDC
- Compact size
- Precision balanced
- External rotor design
- Precision ball-bearing motors

TECHNICAL DATA

Model	Volts	CFM@		Cutoff	
	DC	0" S.P.	S.P.	Amps	Watts
K7BBE225/40	24	483	1.14	2.43	58
K8BBE225/40	48	472	1.40	1.55	70



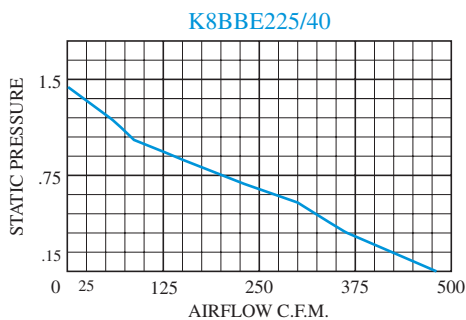
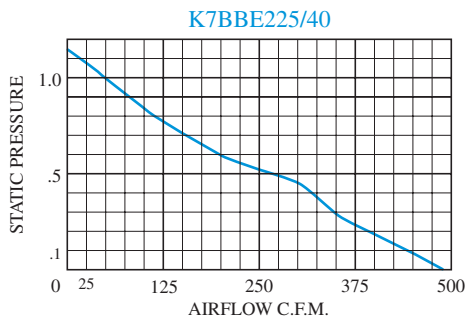
HOW TO ORDER

Specify model number.

For assistance in model selection, refer to the Blower and Fan Selection Guides, or contact **KOOLTRONIC**.

CALL 1-800-321-KOOL (5665)
or FAX 609-466-1114

POPULAR MODELS ARE STOCKED AND READY TO SHIP



Airflow vs. static pressure curves are shown for 60 Hz input.

CONVERSION FACTORS

Multiply airflow in cubic feet per minute (CFM) by:

- 1.7 to obtain airflow in cubic meters per hour (m³/hr.)
- 0.47 to obtain airflow in liters per second (L/S)

Multiply static pressure in inches of water ("H₂O) by:

- 25.4 to obtain static pressure in millimeters of water (mm H₂O)
- 249 to obtain static pressure in Pascals (Pa)

TYPICAL INSTALLATION

