

K7BBE250/63 & K8BBE250/63 BACKWARD CURVED IMPELLER BLOWER



K7BBE250/63

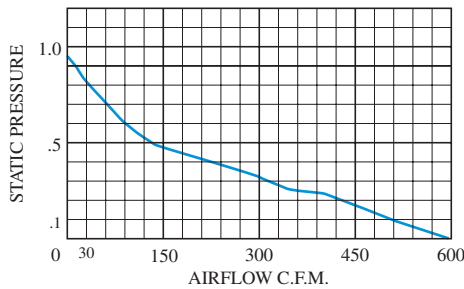
STANDARD FEATURES

- Low noise level
- 570 & 595 CFM capacity
- Available in 24 and 48 VDC
- Compact size
- Precision balanced
- External rotor design
- Precision ball-bearing motors

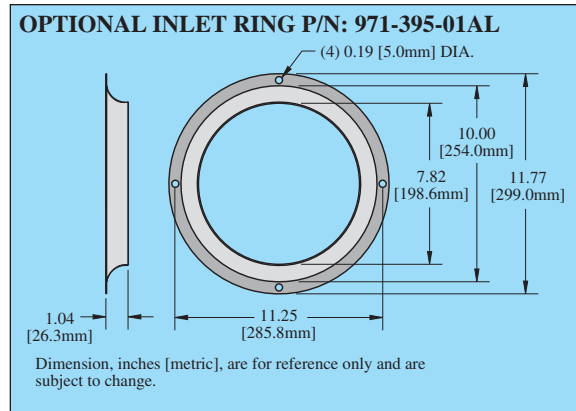
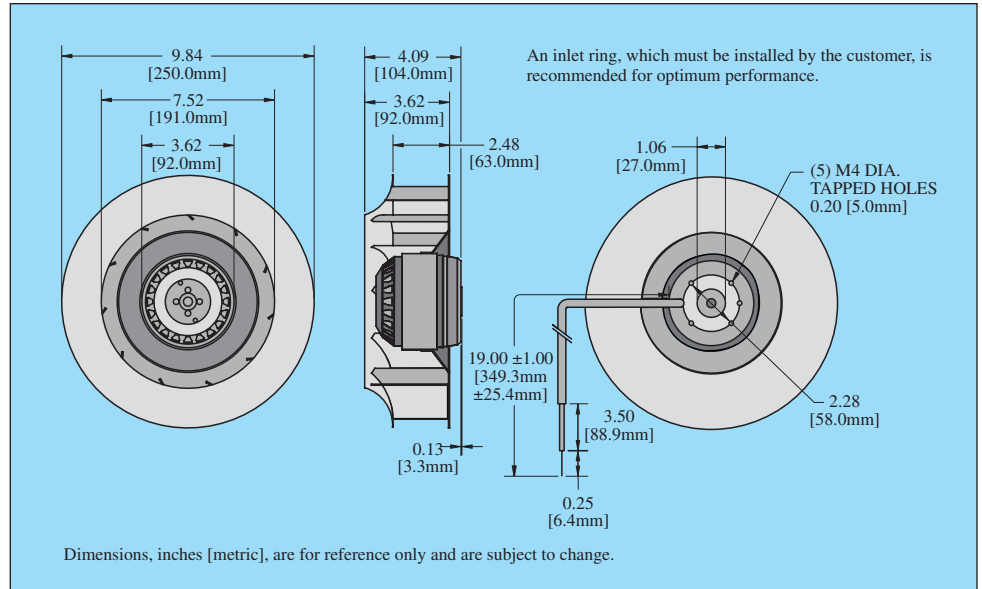
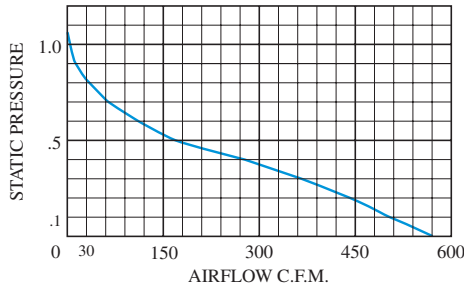
TECHNICAL DATA

Model	Volts	CFM@ Cutoff		Amps	Watts
		0" S.P.	S.P.		
K7BBE250/63	24	595	0.94	2.64	58
K8BBE250/63	48	570	1.07	1.32	62

K7BBE250/63



K8BBE250/63



HOW TO ORDER

Specify model number.

For assistance in model selection, refer to the Blower and Fan Selection Guides, or contact **KOOLTRONIC**.

CALL 1-800-321-KOOL (5665)
or FAX 609-466-1114

POPULAR MODELS ARE STOCKED AND READY TO SHIP

Airflow vs. static pressure curves are shown for 60 Hz input.

CONVERSION FACTORS

Multiply airflow in cubic feet per minute (CFM) by:

- 1.7 to obtain airflow in cubic meters per hour (m³/hr.)
- 0.47 to obtain airflow in liters per second (L/S)

Multiply static pressure in inches of water ("H₂O) by:

- 25.4 to obtain static pressure in millimeters of water (mm H₂O)
- 249 to obtain static pressure in Pascals (Pa)

TYPICAL INSTALLATION

