



Installation Instructions

Model KNA4C5DP33L
K2NA4C5DP33L

I. Introduction

These instructions provide you with the general information necessary for proper installation of the air conditioners.

CAUTION

BEFORE INSTALLING THE AIR CONDITIONER, IT IS IMPORTANT THAT THESE INSTRUCTIONS BE READ AND UNDERSTOOD THOROUGHLY

II. Incoming Inspection

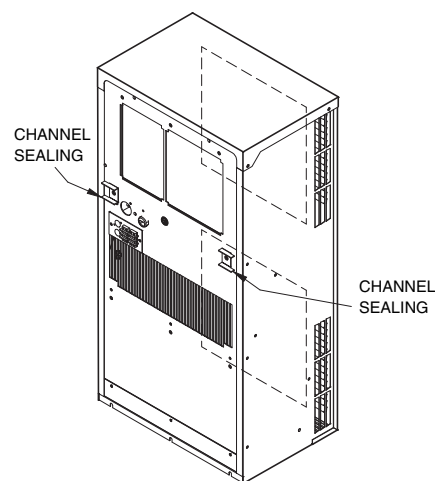
Kooltronic Air Conditioners are designed, built and packaged to withstand the shock and vibration normally associated with shipment by common carriers. Occasionally improper handling during shipping causes damage. Such handling could include unbanding of palletized shipments, failing to respect "This Side Up" arrows, rough handling, falling off conveyors, excessive vibration, crushing, etc. Therefore, a thorough inspection should be done upon receipt of all shipments. Any carton tears, dents, scratches, loose articles or evidence of oil are signs of damage and should be noted on the Freight Bill. Cartons should be opened promptly and the units inspected for CONCEALED DAMAGE. Kooltronic Air Conditioners must be delivered in the proper mounting position to assure that damage to the compressor has not occurred during shipping. Any Kooltronic Air Conditioner that is delivered removed from the banded pallet, lying down or double stacked should be refused. An immediate claim MUST be filed with the freight carrier and an inspection requested. Retain all packing materials. Kooltronic cannot assume responsibility for Consignee's failure to file a timely freight claim.

III. Pre-Installation Testing

1. The unit must be operated in its proper mounting position. If attempts are made to operate the unit not in its designed mounting position, permanent compressor damage will occur. This action will void the warranty. The unit must sit in its proper mounting position for a minimum of five (5) minutes to allow the compressor oil to settle, at a minimum room temperature of 65°F.
2. Refer to the nameplate for proper electrical voltage and current requirements. Connect the power cord to a properly grounded and fused electrical supply, leaving electrical power to the unit turned off.
3. Turn the electrical power on.
4. Verify that the evaporator blower or fan is running.
5. Observe the temperature on the digital display. The thermostat must be set a minimum of 10°F below this temperature for the compressor to operate (the factory setting is 75°F). To adjust the thermostat, push the set button for two (2) seconds, then use the arrows to set the temperature.
6. Operate the air conditioner for approximately ten (10) minutes. During this period the evaporator fan should operate continuously and no unusual noise or vibration should be evident. The condenser blower is controlled by a pressure switch and may not start for several minutes. Depending on ambient conditions, the condenser blower may cycle during the test. The cool air discharged should be less than 70°F when the room temperature is between 70°F and 80°F. It is normal for the condenser blower to cycle on/off during this period.
7. Reset the thermostat to the factory setting. **WARNING: Operating the unit below 75°F may result in freezing of the evaporator coil.**
8. Turn off the electrical power and disconnect the air conditioner from the power source.

IV. Mounting

1. These externally mounted air conditioners have two gasket layers to ensure a proper seal. This seal is necessary to maintain the integrity of the closed-loop system and the enclosure NEMA 4 or NEMA 4X Rating.
2. The air conditioner is to be installed on the enclosure using (6) 1/4-20 x 1 1/4-inch stainless steel bolts at the top and middle of the unit. Use (3) stainless steel bolts 1/4-20 x 1 1/4-inch and (3) stainless steel nuts 1/4-20 on the bottom of the air conditioner.
3. Attach the two channel sealing at the middle height of the air conditioner using (2) stainless steel bolts 1/4-20 x 1 1/4-inch (See Channel Sealing detail at right).
4. Attach plastic drain hose to the drain tubing on the bottom of the air conditioner with a clamp.



CHANNEL SEALING

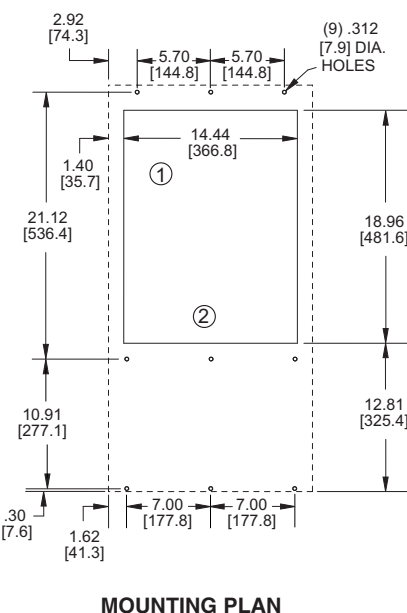
CAUTION

Kooltronic Air Conditioners must be standing in their proper mounting position for a minimum of five (5) minutes prior to testing. Failure to follow this procedure will cause permanent damage to the compressor. To avoid compressor damage do not tip the unit more than 45° from its proper mounting position.

Kooltronic Air Conditioners must be operated in their proper mounting position. If attempts are made to operate a unit that is not in its designed mounting position, permanent compressor damage will occur. This action will void the warranty.

If the air conditioner is mounted to the cabinet door you must be sure that the door hinges will support the additional weight of the air conditioner. Also be certain that when the door is opened fully, the cabinet does not become unbalanced. The weight of the unit is 95 lbs. Additional technical data can be found in the performance specifications in the Operator's Manual available online.

- ① WARM AIR RETURN FROM ENCLOSURE
- ② COOL AIR OUTLET TO ENCLOSURE



MOUNTING PLAN

Dimensions, inches [mm], are for reference only and are subject to change.



Additional Information on this air conditioner can be found by visiting kooltronic.com and searching for the model number, or use the Technical Documents QR code below.

Technical Documents



V. Warranty You can register your warranty online by going to our homepage at kooltronic.com, under Support, or use the Warranty QR code below.

Kooltronic products are warranted to be free of defects in workmanship, materials and components. The following warranty periods apply from date of shipment:

- Air moving devices/components and hermetic system components: 1 year
- Spare parts, except filters: 90 days

The warranty applies when the equipment is operated under the following conditions:

- Ambient temperature not in excess of 125°F (52°C) in normal atmosphere or as stated on product nameplate
- Voltage variation no greater than $\pm 10\%$ from nameplate rating
- Frequency variation no greater than $\pm 3\text{Hz}$ from nameplate rating
- Maximum cooling load no higher than air conditioner nameplate rating
- Waiting five minutes before restarting air conditioner after intentional or accidental shutoff
- Compliance to all other installation, maintenance and operating instructions

The purchaser assumes the responsibility of grounding the unit and installing it in accordance with local electrical and safety codes, as well as the National Electric Code (NEC) and OSHA

KOOLTRONIC cannot assume responsibility for misapplication of its products or the erroneous selection of an inappropriate product by a non-authorized KOOLTRONIC representative. Our applications engineers will gladly assist in the selection of the proper product, provided all required details of the application are furnished.

KOOLTRONIC assumes no liability beyond the repair or replacement of its own product. This Warranty does not cover:

- Labor or reimbursement of labor for evaluation, removal, installation, repair or cost of any warranted part, unless authorized in writing by Kooltronic
- Use of equipment for other than its designed purpose or operating conditions
- Operation in harsh, oily, corrosive or other abnormal environmental conditions, without the proper filtration, sealing, protective coatings and/or weather protection
- Damage to hermetic system resulting from continuous operation with dirty or clogged air filters or improper or negligent maintenance
- Use of refrigerant other than designated
- Customer modification or abuse
- Shipping damage or other accident (Claims for shipping damage are the responsibility of the customer. Timely claims must be filed by the customer with the freight carrier)
- Cracked or broken hermetic tubing, brazed joints or other internal damage caused by shipping damage or mishandling
- Damage caused by shipping units attached to an enclosure
- Any and all conditions resulting from noncompliance with the preceding operating conditions
- Returned freight must be paid by customer
- This Standard Warranty does not apply to custom products. Consult your Kooltronic representative for limitations

THIS WARRANTY CONSTITUTES THE ENTIRE WARRANTY WITH RESPECT TO THE PRODUCT AND IS IN LIEU OF ALL OTHERS, EXPRESSED OR IMPLIED, INCLUDING ANY WARRANTY OF MERCHANTABILITY AND WARRANTY OF FITNESS FOR A PARTICULAR PURPOSE AND IN NO EVENT IS KOOLTRONIC RESPONSIBLE FOR ANY CONSEQUENTIAL DAMAGES OF ANY NATURE WHATSOEVER.

VI. Return Authorization (RA) Procedure

All returns require a Return Authorization number whether the return reason is for warranty or non-warranty repair, rotation of stock, damage or any other type. Returns without an RA number will be refused.

Customer must call Kooltronic After Sale Kare (ASK), Pennington, New Jersey (609•466•3400) to obtain an RA number, or email ask@kooltronic.com.

The following information is required when an RA is requested:

- Original customer Purchase Order number and date
- Date product was received by customer
- Number of parts to be returned
- Product description, model and serial number
- Reason for return
- Action requested
- Contact name, telephone, FAX numbers and e-mail address

Pack unit in a suitable container for shipment, preferably the original packaging if available. All Air Conditioners must be returned in an upright position properly secured to a pallet. Improper packaging may void warranty claim. If an Air Conditioner is received laying down or shipped UPS or similar small parcel service the warranty will be void.

Mark carton prominently with Kooltronic's Return Authorization Number.

Enclose all pertinent documents.

Freight charges on all products returned to Kooltronic shall be paid by the customer. Unauthorized collect shipments will be refused.

If a unit is repaired under Warranty, Kooltronic will pay the freight charges both ways within the Continental USA at Kooltronic's negotiated rates. Warranty repaired units will be returned to customer at Kooltronic expense only within the Continental USA.

All authorized returns are subject to a restocking fee.

Warranty Registration

