

# HAZARDOUS LOCATION SERIES HL60LV

## 480 VOLT 3-PHASE NEMA 4/4X AIR CONDITIONERS



Model	NEMA Rating	UL/CUL Listed or Recognized	BTU/H Capacity	95/95 Rating BTU/H	Ambient Temp.		Volts	Hz	Running Amps 125°F/125°F	Pressurized Compartment Volume cu. ft.	Air Leakage @ 0.5 i.w.g. Pressure CFM	Approx. Weight		
					°F Max.	°F Min.						°C Max.	°C Min.	Lbs.
K3A6C24HL60LV	4/4X	Listed	24000	21066	125	-20	52	-28	480	60	6.67	18.0	0.4	328 150

Rating is shown for operation at maximum ambient temperature.

### STANDARD FEATURES

- All models UL Listed per UL 484, Special Purpose Air Conditioners
- All models UL Recognized per NFPA 496: 2013, Purged and Pressurized Enclosures for Electrical Equipment
- Meets NEC Class I Division 1, Groups A, B, C & D and Class I, Zone 1, Groups IIA, IIB plus hydrogen and IIC Hazardous Locations when used with an approved Type X Purge System on the electrical enclosure
- Meets NEC Class I Division 2, Groups A, B, C & D and Class I, Zone 2, Groups IIA, IIB plus hydrogen and IIC Hazardous Locations when used with an approved Type Z Purge System on the electrical enclosure
- Temperature Classification is T-4, 275°F/135°C
- Maintains NEMA Type 12, 3R & 4/4X Ratings per UL 50, Cabinets and Boxes
- Closed-Loop Cooling
- Compressor Short Cycle Protector
- Filter
- Interior and Exterior Purge Connections
- Internal Corrosion Protection
- Painted Condenser and Evaporator Coils
- Pressure Compensation Terminal Block
- Programmable Temperature Alarm
- Programmable Thermostat
- Shock and Vibration Resistance
- Stainless Steel Shell
- Zero ODP Refrigerant

### ACCESSORIES AND OPTIONS

- Enclosure Heater
- Filter Recoating Adhesive
- Remote Monitoring
- Remote Thermostat Relay
- Replacement Filters



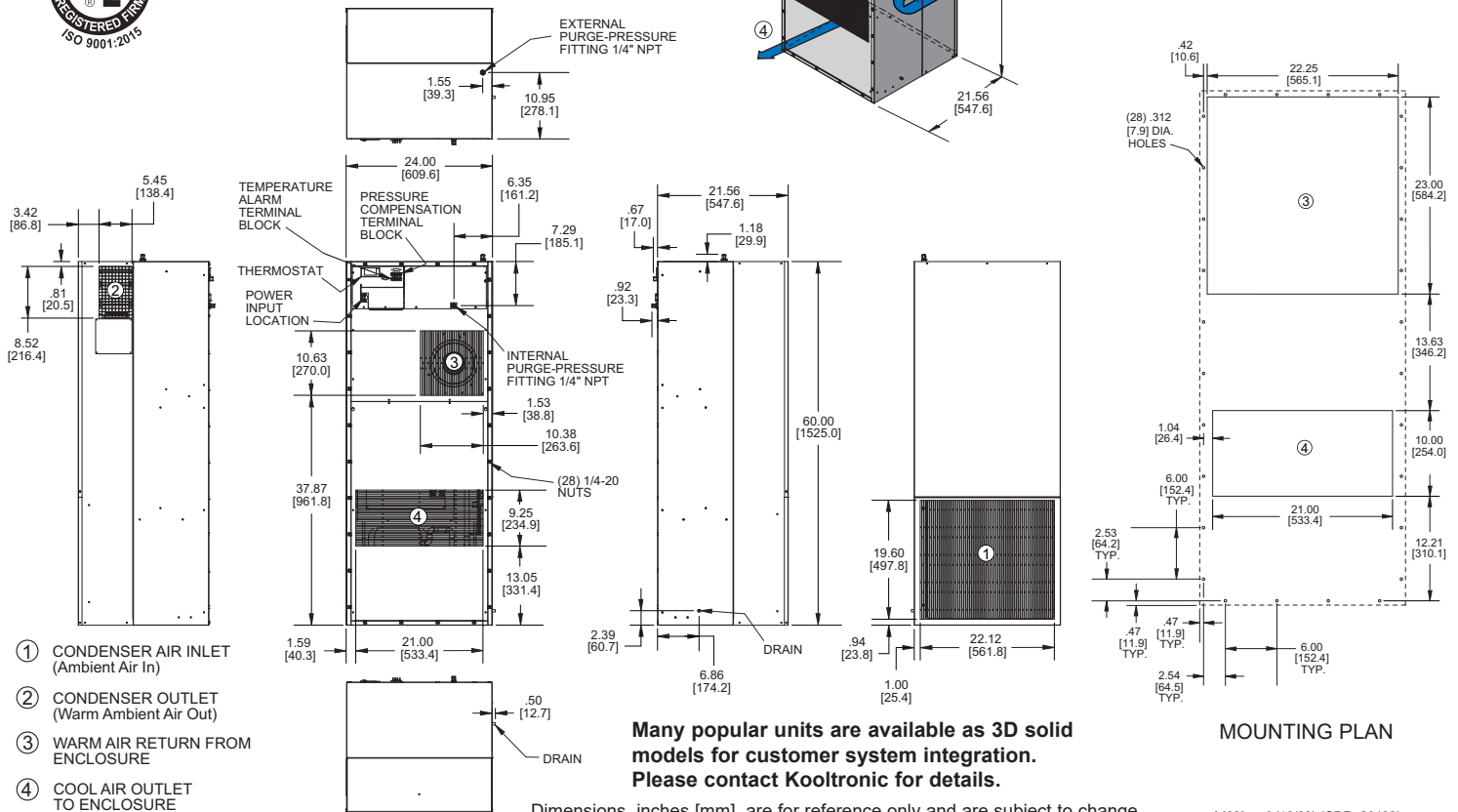
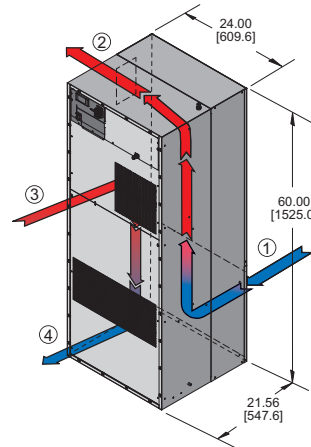
**NEMA**  
TYPE 12, 3R AND  
4/4X  
MAINTAINED

**U.S. Patent No.**  
**9,157,670 B2**



Find additional information on this model at [kooltronic.com](http://kooltronic.com), or use the Technical Documents QR code below.

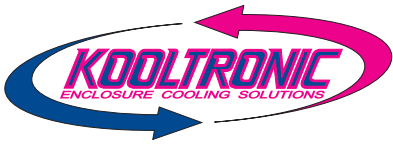
Technical Documents



Many popular units are available as 3D solid models for customer system integration. Please contact Kooltronic for details.

Dimensions, inches [mm], are for reference only and are subject to change.

hi60l.qxd (10/23) (CDR: 20498)



# HAZARDOUS LOCATION SERIES HL60LV

## 480 VOLT 3-PHASE NEMA 4/4X AIR CONDITIONERS

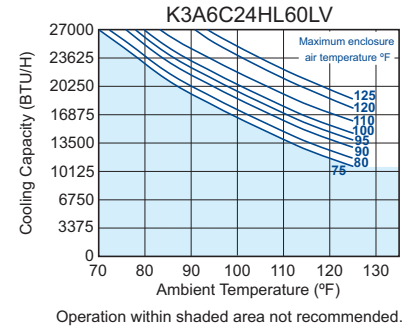
### DESCRIPTION

Robust engineering, industrial-grade construction and UL Listing are the reasons that the Kooltronic **Hazardous Location Series** Air Conditioners provide the durability and safety required by hazardous location applications.

Kooltronic **Hazardous Location Series** Air Conditioners are ideal for:

- Offshore oil rigs, onshore oil company offices and refineries
- Petrochemical sites and propane fill-up stations
- Paint and varnish storage or processing plants
- Grain alcohol processors or storage sites
- Munitions plants or armories
- PVC or plastics plants and processing plants
- Recycling plants
- Furniture refinishing/stripping workshops
- Fertilizer plants
- Hazardous materials storage

### PERFORMANCE



### FEATURES AND BENEFITS (STANDARD)

- All models UL/CUL Listed and Recognized, a standard of safety.
- CFC-free refrigerant provides a zero ozone depletion potential.
- Closed-loop cooling provides stable temperature control while excluding dust and humidity from the electrical enclosure.
- Compressor short cycle protector extends compressor life.
- Condenser filtration to maintain peak thermal performance extends compressor life.
- Pressure compensation terminal block allows user to attach auxiliary pressure supply.
- Programmable temperature alarm to alert if early action required.
- Programmable thermostat capable of remote monitoring and control.
- Interior and exterior purge connections offer versatility and convenience.
- Internal corrosion protection to increase reliability in hostile environments.
- NEMA 12, 3R & 4/4X ratings for compatibility with electrical enclosure ratings.
- Stainless steel shell for NEMA 4X corrosive environments.
- All models are designed to withstand shock and vibration in two different planes for a minimum of 4 hours per plane at 1G acceleration.
- Both evaporator and condenser coils are epoxy coated, prolonging unit life.
- Type X and Z purge fittings for simple connection to enclosure purge system.

### FEATURES AND BENEFITS (OPTIONAL)\*

- Enclosure heater eliminates damaging condensation, increasing reliability of electrical enclosure components.
- Remote monitoring provides temperature data for warning of early action required.
- Remote thermostat relay for control by a user-supplied control system.

#### Special paint finishes\*

\*Contact KOOLTRONIC for more information.

### REPLACEMENT FILTERS

The HL60LV Filter Part No. is 2023F (27.75" 20.38" x 0.34" [704.8mm x 517.6mm x 8.6mm])