

Product Information



KOOLTRONIC CONDENSATE EVAPORATOR KITS

For Panel Mounted Air Conditioners

"Air Conditioning Without The Drip"

FEATURES



- No more water on the floor
- No more drains required*
- Simple installation on your new or existing Kooltronic Air Conditioner
- Self-Regulating heater conserves power
- Requires no thermostat
- UL component recognition on fan and heater
- 115 and 230 volt models available
- Removable cord set allows for easy cleaning of evaporator pan



Condensate evaporator kits are available for attachment to the bottom of Micro-Mini, Air or Water Cooled Panel Mounted Air Conditioners, and Water-to-Air Heat Exchangers.**

Condensate is collected, vaporized and discharged to the surrounding air.*

* All units include a safety overflow drain which discharges excessive condensate when required. Overflow may occur when cabinets are poorly sealed, or when cabinet doors are frequently opened, permitting the invasion of moisture-laden air.

** Condensate Evaporators are standard equipment on Kooltronic TrimLine and Advantage Series, Horizontal Top-Mounted, Profile Series, SlimKool Series and selected Guardian/GuardianX Series models.

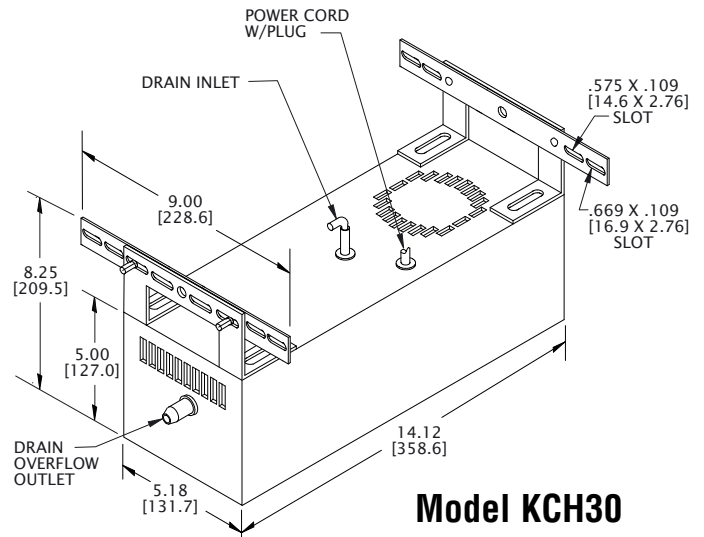
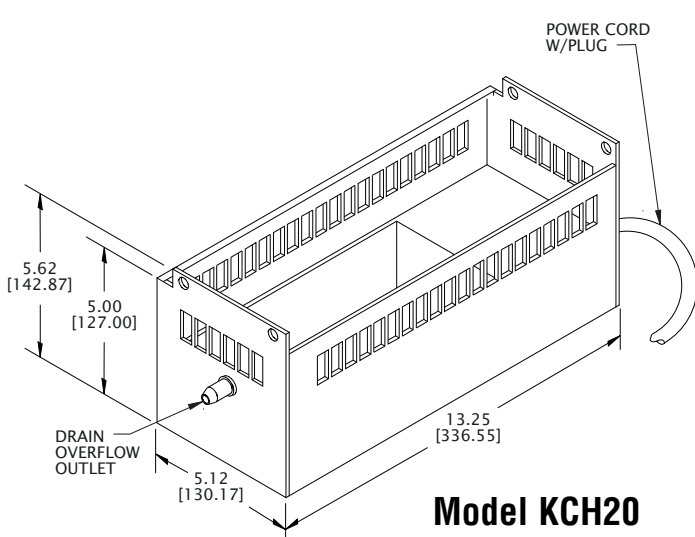
TYPICAL INSTALLATION



KA4C4P28 with KCH30 shown

INSTALLATION

- 1) Adjust Brackets to match Air Conditioner width
- 2) Attach unit to Air Conditioner
- 3) Connect drain tube of A/C to Evaporator
- 4) Connect to power supply



Dimensions, inches [metric], are for reference only and subject to change.

UNIT APPLICATIONS

KCH20 & K2CH20 for use on Kooltronic Micro-Mini Air Conditioners.

KCH30 & K2CH30 for use on Kooltronic Panel Mount Air Conditioners and Water-to-Air Heat Exchangers.

ELECTRICAL REQUIREMENTS

KCH20	115 Volt	2.5 amps	50/60 Hz
K2CH20	230 Volt	1.2 amps	50/60 Hz
KCH30	115 Volt	2.6 amps	50/60 Hz
K2CH30	230 Volt	1.3 amps	50/60 Hz

- Voltage need not match Air Conditioner as long as unit is connected to a matching power source.
 - 115 Volt units are furnished with NEMA 5-15 P plugs.
 - 230 Volt units are furnished with NEMA 6-15 P plugs.
- (For wiring directly to Air Conditioners, contact KOOLTRONIC, INC.)

CAPACITY

Units capable of evaporating up to 8 ounces of water per hour under normal operating conditions.