



# K2BC2E192/40B MOTORIZED IMPELLER

## TECHNICAL DATA

Model	CFM@ Cutoff		Volts	Hz	Amps	Watts	Capacitor		RPM	dBA	Min. Temp.	Max. Temp.
	0" S.P.	S.P.					μF	RPM				
K2BC2E192/40B	359	1.8	230	60	0.34	78	2.0	2760	61	-40°F/-40°C	158°F/70°C	
K2BC2E192/40B	347	1.4	230	50	0.29	62	2.0	2500	59	-40°F/-40°C	158°F/70°C	



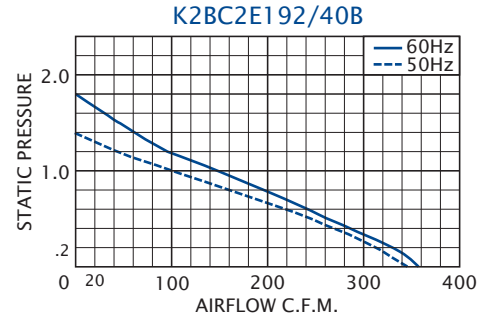
## STANDARD FEATURES

- Low noise level
- 359 CFM capacity
- Available in 230 VAC, 50/60Hz
- Compact size
- Precision balanced
- External rotor design
- Precision ball-bearing motors
- Class F, thermally protected
- UL 94 V-0 plastic impeller
- UL Recognized
- Normally in-stock

## ACCESSORIES\*

- Capacitor - P/N: 0452-64
- Inlet Ring - P/N: 1114-08

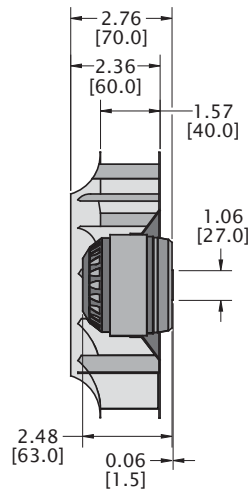
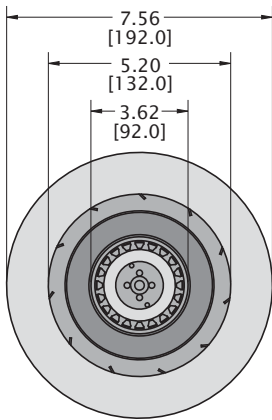
## PERFORMANCE



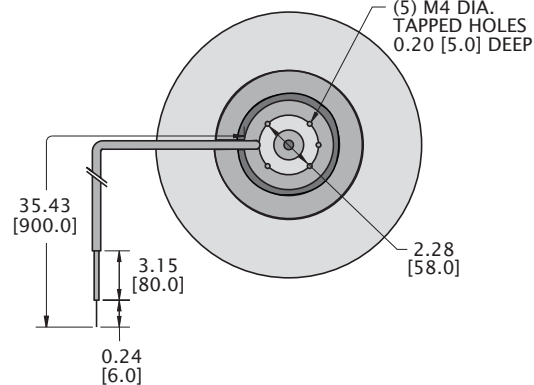
Airflow vs. static pressure curves are shown for 60 Hz and 50 Hz (broken line) inputs. Static pressure is in inches of water.

## DRAWINGS

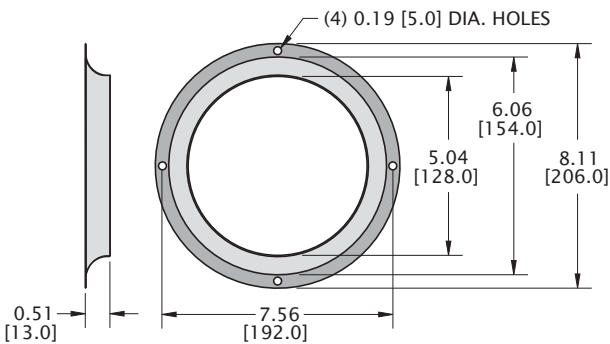
Dimensions, inches [mm], are for reference only and are subject to change.



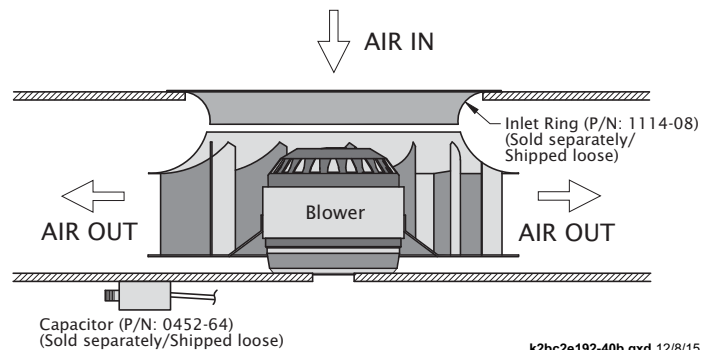
An inlet ring, which must be installed by the customer, is recommended for optimum performance. This unit requires a capacitor which must be mounted and connected by the customer.



## INLET RING P/N: 1114-08



## TYPICAL INSTALLATION



k2bc2e192-40b.qxd 12/8/15