

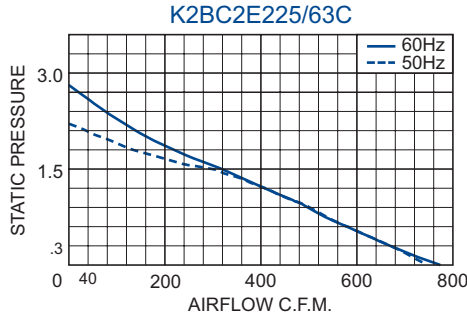
### TECHNICAL DATA

Model	CFM@ Cutoff		Volts	Hz	Amps	Watts	Capacitor		RPM	Min. Temp.	Max. Temp.
	0" S.P.	S.P.					μF	RPM			
K2BC2E225/63C	774	2.5	230	60	0.93	213	4.0	2590	-40°F/-40°C	140°F/60°C	
K2BC2E225/63C	753	2.0	230	50	0.69	158	4.0	2535	-40°F/-40°C	140°F/60°C	

### STANDARD FEATURES

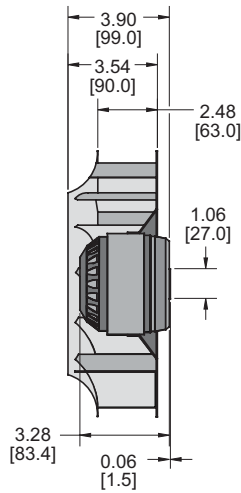
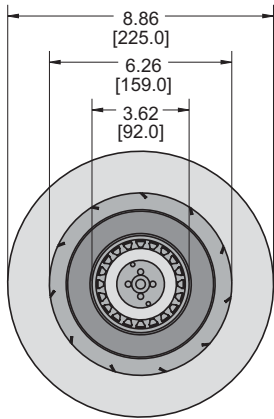
- Low noise level
- 774 CFM capacity
- Available in 230 VAC, 50/60Hz
- Compact size
- Precision balanced
- External rotor design
- Precision ball-bearing motors
- Class F, thermally protected
- UL 94 V-0 plastic impeller
- UL Recognized
- Normally in-stock

### PERFORMANCE

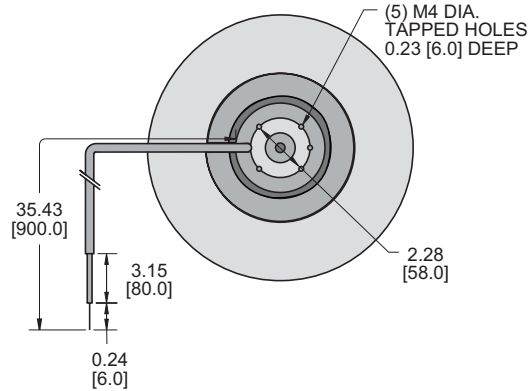


### DRAWINGS

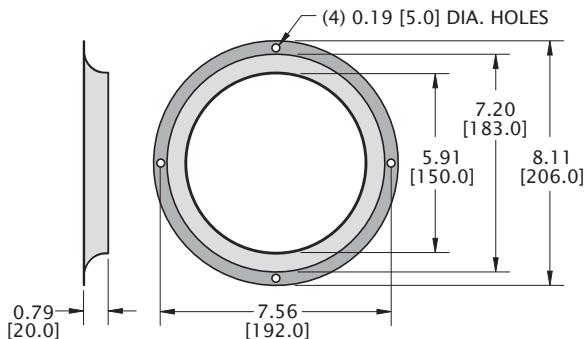
Dimensions, inches [mm], are for reference only and are subject to change.



An inlet ring, which must be installed by the customer, is recommended for optimum performance. This unit requires a capacitor which must be mounted and connected by the customer.



### OPTIONAL INLET RING P/N: 1114-07



### TYPICAL INSTALLATION

