



# K2BC2E250/56D MOTORIZED IMPELLER

## TECHNICAL DATA

Model	CFM@		Cutoff S.P. Volts	Hz	Amps	Watts	Capacitor		RPM	Min. Temp.	Max. Temp.
	0" S.P.	S.P.					µF	RPM			
K2BC2E250/56D	1026	3.3	230	60	1.13	259	6.0	3030	-40°F/-40°C	158°F/70°C	
K2BC2E250/56D	906	2.4	230	50	0.83	190	6.0	2700	-40°F/-40°C	140°F/60°C	



## STANDARD FEATURES

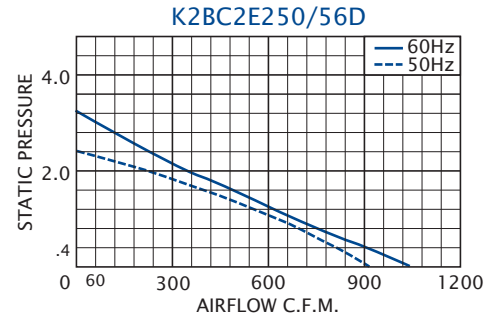
- Low noise level
- 1026 CFM capacity
- Available in 230 VAC, 50/60Hz
- Compact size
- Precision balanced
- External rotor design
- Precision ball-bearing motors
- Class F, thermally protected
- Galvanized Steel impeller
- UL Recognized
- Normally In-Stock

## ACCESSORIES\*

- Capacitor - P/N: 0452-75
- Inlet Ring - P/N: 1114-09

**\*Note:** This unit requires a capacitor for operation. Capacitors are sold separately and shipped loose for field installation by customer. An Inlet Ring is recommended for optimum performance. These are sold separately, to be installed by the customer.

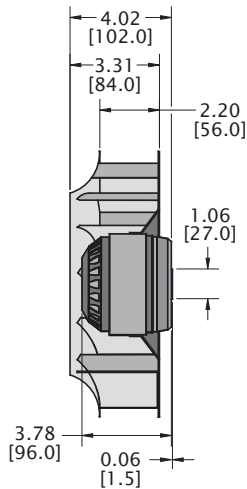
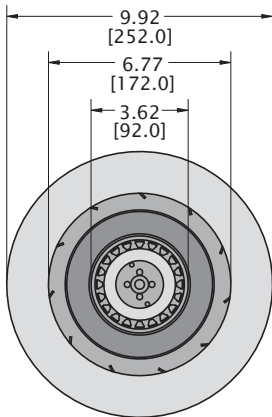
## PERFORMANCE



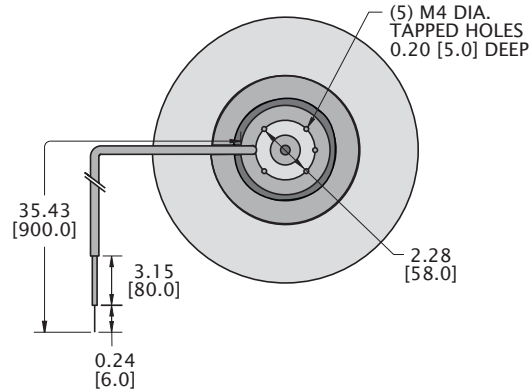
Airflow vs. static pressure curves are shown for 60 Hz and 50 Hz (broken line) inputs. Static pressure is in inches of water.

## DRAWINGS

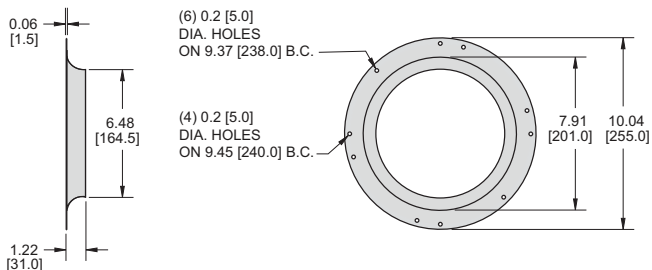
Dimensions, inches [mm], are for reference only and are subject to change.



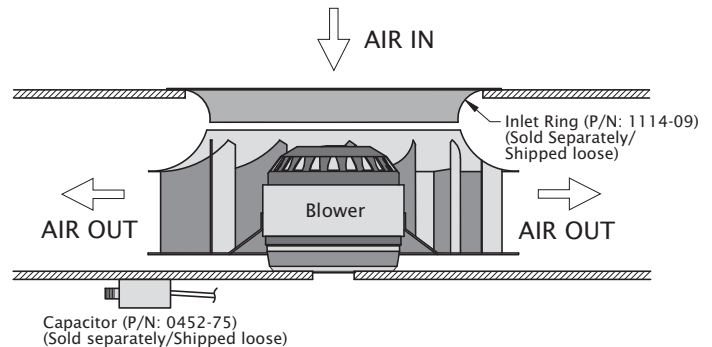
An inlet ring, which must be installed by the customer, is recommended for optimum performance. This unit requires a capacitor which must be mounted and connected by the customer.



## INLET RING P/N: 1114-09



## TYPICAL INSTALLATION



k2bc2e250-56d.qxd 1/26/16