

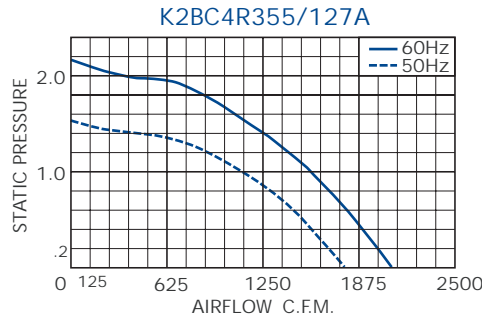
TECHNICAL DATA

Model	CFM@ Cutoff						Capacitor		RPM	Max. Temp
	0" S.P.	S.P.	Volts	Hz	Amps	Watts	μF			
K2BC4R355/127A	2070	2.15	230	60	2.5	490	8.0	1480	113°F/45°C	
K2BC4R355/127A	1765	1.50	230	50	2.1	400	8.0		113°F/45°C	

STANDARD FEATURES

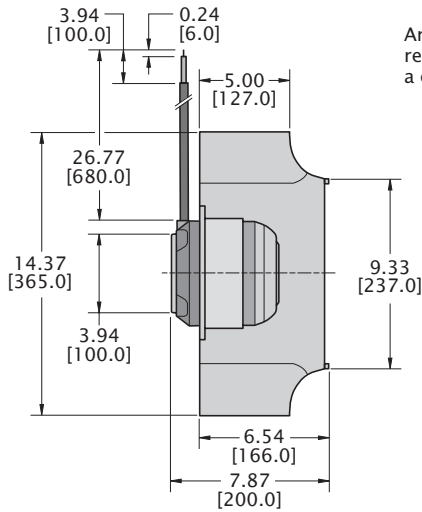
- Low noise level
- 2070 CFM capacity
- Available in 230 VAC, 50/60Hz
- Compact size
- Precision balanced
- External rotor design
- Precision ball-bearing motors
- Normally In-Stock

PERFORMANCE

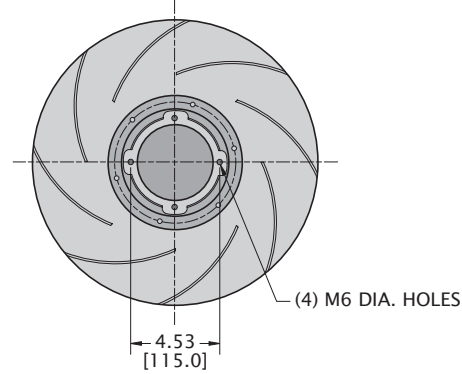


DRAWINGS

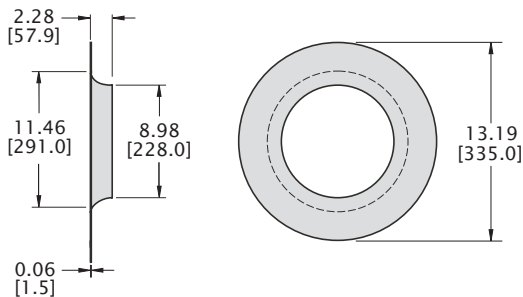
Dimensions, inches [mm], are for reference only and are subject to change.



An inlet ring, which must be installed by the customer, is recommended for optimum performance. This unit requires a capacitor which must be connected by the customer.



OPTIONAL INLET RING P/N: 1114-12



TYPICAL INSTALLATION

