



# K2BC4R355/127A MOTORIZED IMPELLER

## TECHNICAL DATA

Model	CFM@		Cutoff			Capacitor				Max. Temp
	0" S.P.	S.P.	Volts	Hz	Amps	Watts	µF	RPM		
K2BC4R355/127A	2070	2.15	230	60	2.5	490	8.0	1480	113°F/45°C	
K2BC4R355/127A	1765	1.50	230	50	2.1	400	8.0		113°F/45°C	



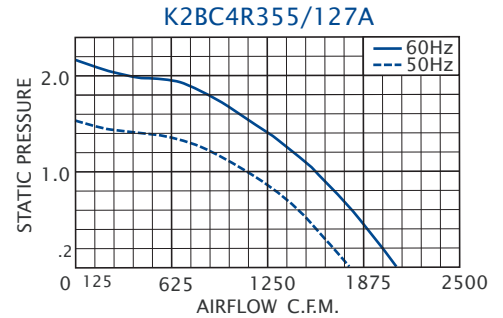
## STANDARD FEATURES

- Low noise level
- 2070 CFM capacity
- Available in 230 VAC, 50/60Hz
- Compact size
- Precision balanced
- External rotor design
- Precision ball-bearing motors
- Normally In-Stock

## ACCESSORIES\*

- Capacitor - P/N: 0452-76
- Inlet Ring - P/N: 1114-12

## PERFORMANCE

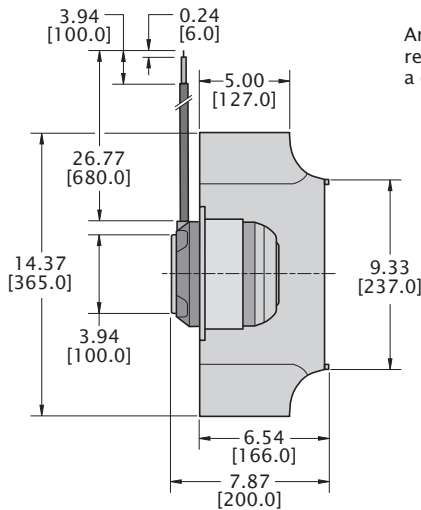


Airflow vs. static pressure curves are shown for 60 Hz and 50 Hz (broken line) inputs. Static pressure is in inches of water.

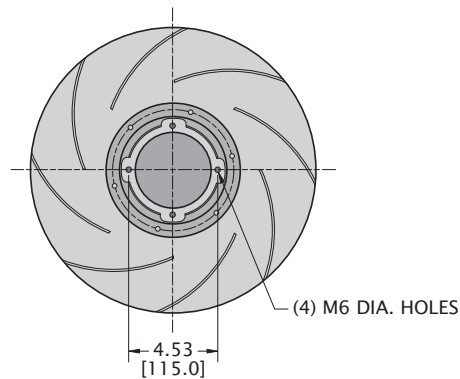
**\*Note:** This unit requires a capacitor for operation. Capacitors are sold separately and shipped loose for field installation by customer. An Inlet Ring is recommended for optimum performance. These are sold separately, to be installed by the customer.

## DRAWINGS

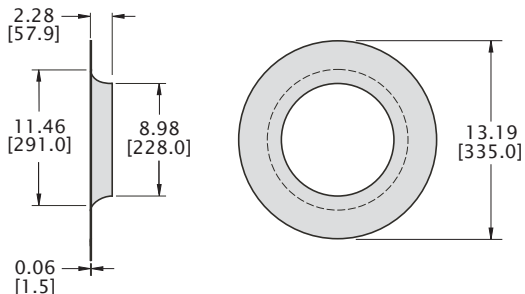
Dimensions, inches [mm], are for reference only and are subject to change.



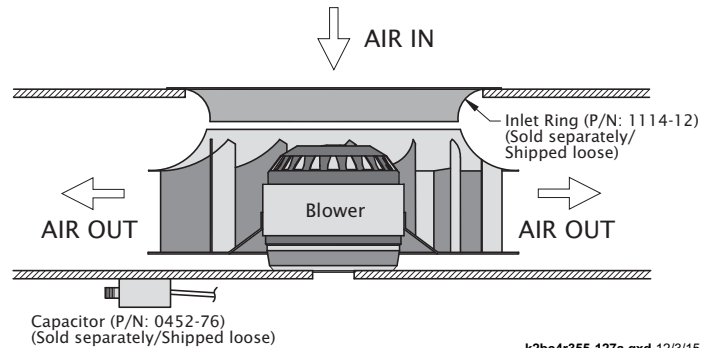
An inlet ring, which must be installed by the customer, is recommended for optimum performance. This unit requires a capacitor which must be connected by the customer.



## OPTIONAL INLET RING P/N: 1114-12



## TYPICAL INSTALLATION



k2bc4r355-127a.qxd 12/3/15