

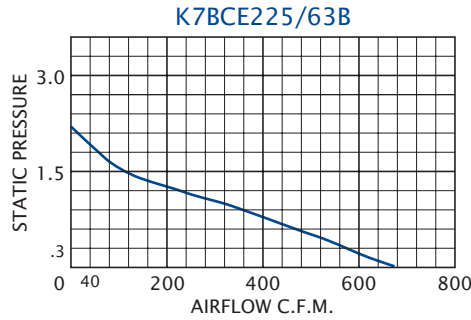
TECHNICAL DATA

Model	CFM@ 0" S.P.	Cutoff S.P.	DC Volts	Amps	Watts	RPM	dBA	Min. Temp.	Max. Temp.
K7BCE225/63B	688	2.21	24	4.56	109	2255	67	-4°F/-20°C	158°F/70°C

STANDARD FEATURES

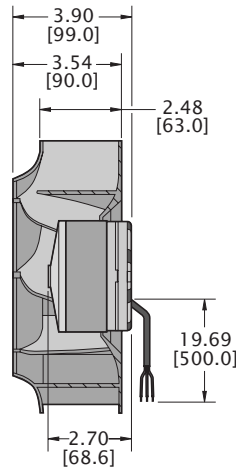
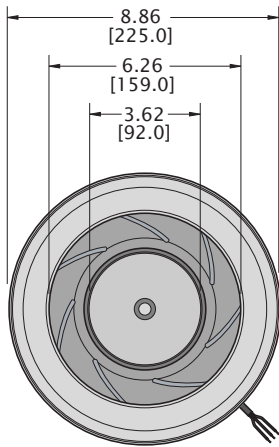
- Low noise level
- 688 CFM capacity
- Compact size
- Nominal voltage 24VDC (18-36VDC)
- Precision balanced
- External rotor design
- Precision ball-bearing motors
- Reverse polarity protection
- Soft start
- Locked rotor protection
- Tachometer output (open collector)
- Controlled by 0-10VDC or PWM signal

PERFORMANCE

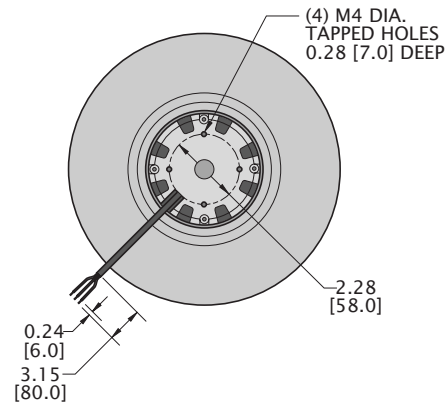


DRAWINGS

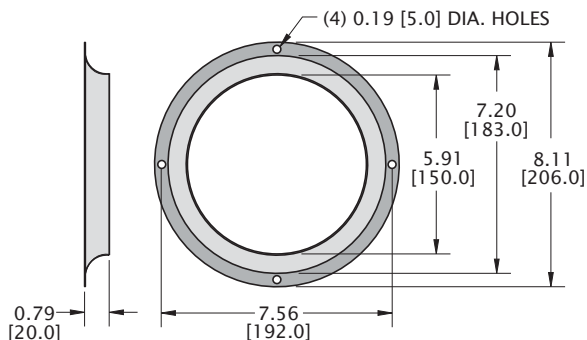
Dimensions, inches [mm], are for reference only and are subject to change.



An inlet ring, which must be installed by the customer, is recommended for optimum performance.



OPTIONAL INLET RING P/N: 1114-07



TYPICAL INSTALLATION

