

# Product Information

## Integrity Series 21 Panel-Mounted Air Conditioners

The latest addition to the **Integrity** line of NEMA 4/4X air conditioners is a compact 21" (h) x 12" (w) unit with a capacity of 3,000 BTU/H and is ideal for both indoor and outdoor NEMA 4/4X applications.

Made of 304-2B stainless steel, the patented **Integrity Series Air Conditioners** were designed specifically for NEMA 4/4X enclosures which require wash-down, are subject to outdoor storm conditions or other harsh environments. With the addition of the **Integrity Series 21**, the line is now available in five heights from 21 to 59 inches and capacities ranging from 3,000 to 10,000 BTU/H.

Available in 115 VAC and 230 VAC (50 or 60 Hz), the **Integrity Series 21** is UL/CUL Listed and uses CFC-free R134a refrigerant. It's designed for easy installation, utilizing an innovative mounting system which seals the unit to the enclosure with just three screws. Other standard features include low temperature control thermostat, condenser impeller speed controller, internal corrosion protection, six foot power cord and a washable multi-layered aluminum filter.



### Standard Features

- CFC-Free Refrigerant
- Condensate Evaporator
- Condenser Impeller Speed Controller
- Filter
- Internal Corrosion Protection
- Low Temperature Control Thermostat
- NEMA 12 & 4/4X Rating Maintained (UL50)
- Six Foot [1.8m] (minimum) 3-wire Cord
- Stainless Steel (304-2B) Cabinet
- UL/CUL Listed

### Technical Data

Model	Refrigerant	BTU/H Rating	Ambient Temp. Max./Min.		Volts	Hz	* Running Amps
			°F	°C			
KNA4C3P21L	R134a	3000	125/0	58.1/-20.0	115	60	11.3
K2NA4C3P21L	R134a	3000	131/0	61.9/-20.0	230	60	4.7
K2NA4C3P21L5	R134a	3000	131/0	61.9/-20.0	230	50	4.6

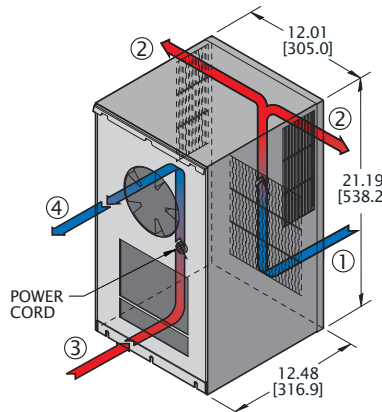
\* Rating shown is for operation at maximum ambient temperature.

### Accessories & Options

- Compressor Short Cycle Protector
- Enclosure Heater
- Filter Recoating Adhesive
- Lead-Lag Controller
- Remote Thermostat Relay
- Replacement Filters
- Special materials or finishes
- Special motors, line cords or connectors
- Temperature Alarm

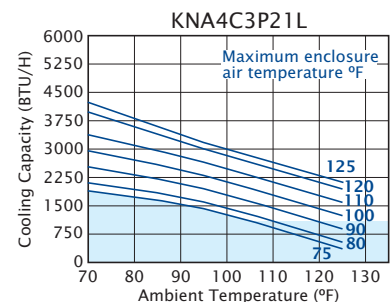
### Approximate Weight

76 lbs. [34.5 kg]



Scan with your smart phone to visit kooltronic.com

### PERFORMANCE CHART



Operation within shaded area not recommended.

- ① CONDENSER AIR INLET (Ambient Air In)
- ② CONDENSER OUTLET (Warm Ambient Air Out)
- ③ WARM AIR RETURN FROM ENCLOSURE
- ④ COOL AIR OUTLET TO ENCLOSURE



NEMA TYPE 4/4X MAINTAINED

