

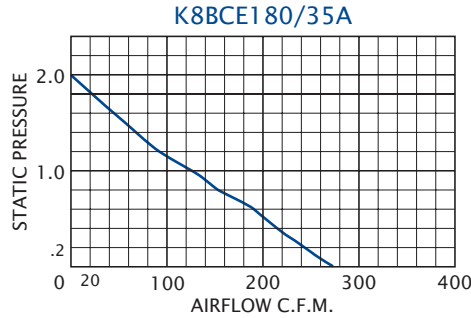
## TECHNICAL DATA

Model	CFM@ 0" S.P.	Cutoff S.P.	DC Volts	Amps	Watts	RPM	dBA	Min. Temp.	Max. Temp.
K8BCE180/35A	276	1.98	48	1.10	53	3050	65	-4°F/-20°C	158°F/70°C

## STANDARD FEATURES

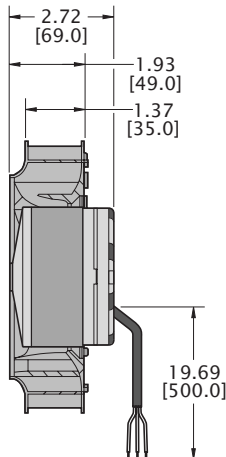
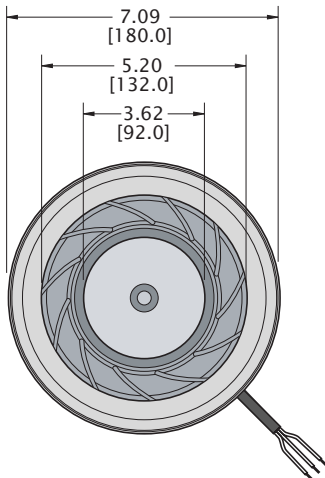
- Low noise level
- 276 CFM capacity
- Compact size
- Nominal voltage 48VDC (36-60VDC)
- Precision balanced
- External rotor design
- Precision ball-bearing motors
- Reverse polarity protection
- Soft start
- Locked rotor protection
- Tachometer output (open collector)
- Controlled by 0-10VDC or PWM signal

## PERFORMANCE

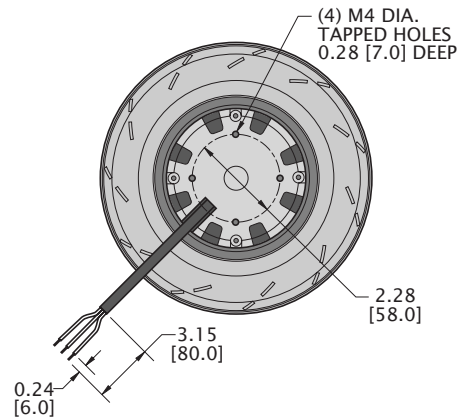


## DRAWINGS

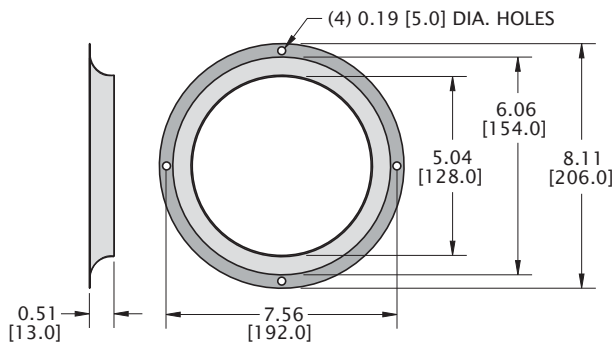
Dimensions, inches [mm], are for reference only and are subject to change.



An inlet ring, which must be installed by the customer, is recommended for optimum performance.



## OPTIONAL INLET RING P/N: 1114-08



## TYPICAL INSTALLATION

