

ACCESSORIES AND OPTIONS

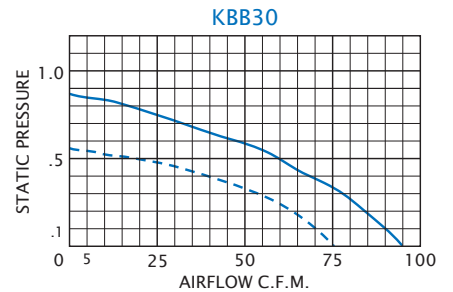
- Airflow Switch
- Automatic Speed Control
- Other voltages and frequencies
- Special external paint finishes
- Special line cord or connectors

STANDARD FEATURES

- Capacity: 95 CFM
- Full performance in any mounting position
- Rugged construction with baked powder finish
- UL/CSA ball bearing motors
- 12-inch [304.8mm] (minimum) power and ground leads
- Accessories and options



PERFORMANCE GRAPH



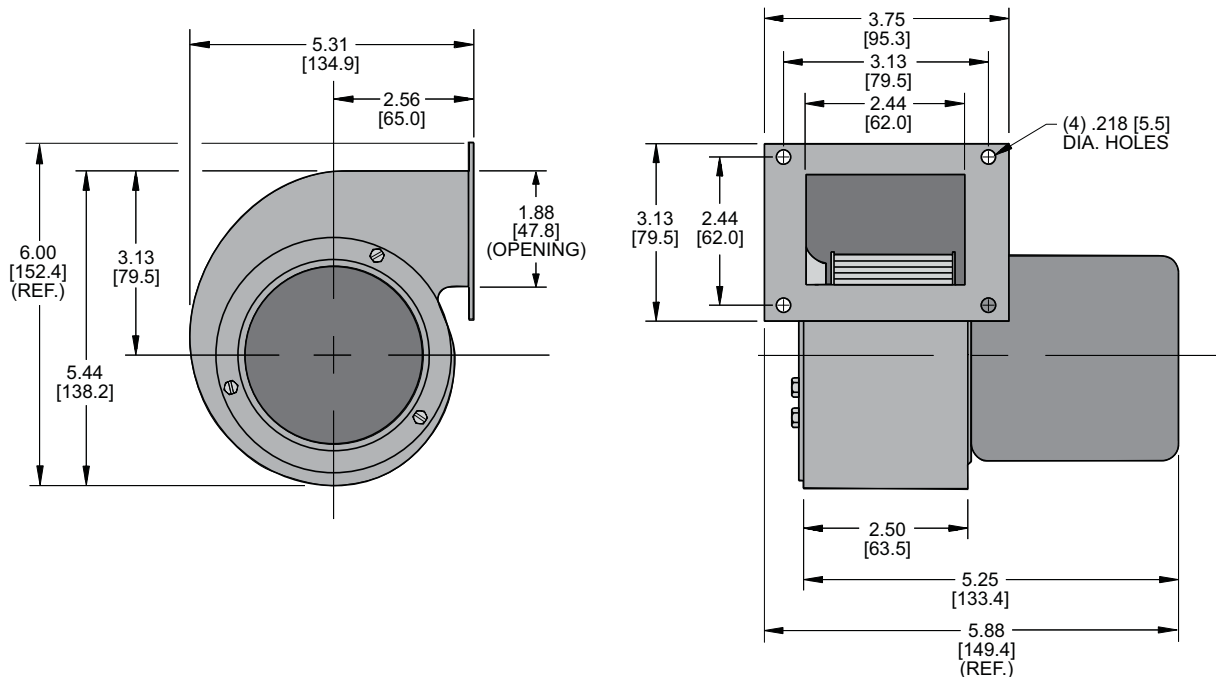
Airflow vs. static pressure curves are shown for 60 Hz and 50 Hz (broken line) inputs. Static pressure is in inches of water.

TECHNICAL DATA*

Model	Normally In-Stock	CFM @ 0" S.P.	Cutoff S.P.	RPM Nominal	Amps		Watts	Approximate Weight	
					Run.	L.R.		Lbs.	Kg.
KBB30	Yes	95	0.85	3150	0.6	0.8	41	5	2.3

* 115V, 60 Hz. operation

DIMENSIONS inches [metric]



DESCRIPTION

KOOLTRONIC *Single Centrifugal Blowers* are designed for performance against low to moderate static pressures. They are available in seven sizes and capacities. Easily installed, they can be mounted in any orientation for maximum cooling efficiency.

These popular blowers are a low cost alternative for a multitude of applications. They are the workhorses of electronics cooling and are widely used in other non-electronic applications.

KOOLTRONIC also designs and manufactures a variety of blowers to meet *unique* specifications. We invite your inquiries about our modification and custom-design capabilities.

STANDARD FEATURES

RUGGED CONSTRUCTION: Precision-engineered heavy-gauge steel construction insures blowers stand up under tough applications.

BAKED POWDER FINISH: Durable, baked-on gray powder finish is standard. Other finishes are available.

PRECISION BALL-BEARING MOTORS: All motors, whether permanent split capacitor or shaded pole, are UL/CSA Recognized and include automatic-reset thermal overload protection. Designed for low temperature rise, KOOLTRONIC motors are also cooled by the blowers' intake air, for maximum motor life. All motors meet Federal Specification CC-M-1807A, and include double-sealed or double-shielded precision ball bearings, which meet Federal Specification FF-B-171A. Special permanent lubricants perform over a broad temperature range: -20°F (-28.9°C) to 250°F (121.1°C). Consult KOOLTRONIC for motors designed to meet military or extreme environmental specifications.

POWER: 115 VAC, 50/60 Hz or 230 VAC, 50 Hz is standard. For multi-phase power, other voltages and frequencies or brushless DC applications, consult KOOLTRONIC. **NOTE:** Some 230 Volt models may not be available or minimum purchases may apply. Contact Kooltronic for information.

LEADS: 12" [304.8mm] (minimum) power and ground leads. Special lengths and/or plugs available.

ACCESSORIES AND OPTIONS*

AIRFLOW SWITCH

OTHER VOLTAGES AND FREQUENCIES

SPECIAL EXTERNAL PAINT FINISHES

SPECIAL LINE CORDS OR CONNECTORS

*Contact KOOLTRONIC for information.

KOOLTRONIC also designs and manufactures a variety of Blowers to meet *unique* specifications. We invite your inquiries about our modification and custom-design capabilities.

For assistance in model selection call KOOLTRONIC, or use one of our FREE design aid software programs.