



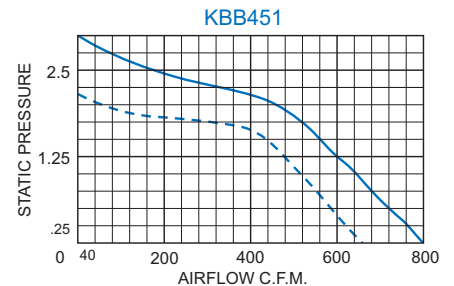
ACCESSORIES AND OPTIONS

Airflow Switch
 Automatic Speed Control
 Other voltages and frequencies
 Special external paint finishes
 Special line cord or connectors

STANDARD FEATURES

Capacities: 800 CFM
 Extremely quiet, efficient operation
 Full performance in any mounting position
 Rugged construction with baked powder finish
 UL/CSA ball bearing motors
 12-inch [304.8mm] (minimum) power and ground leads
 Accessories and options

PERFORMANCE GRAPH



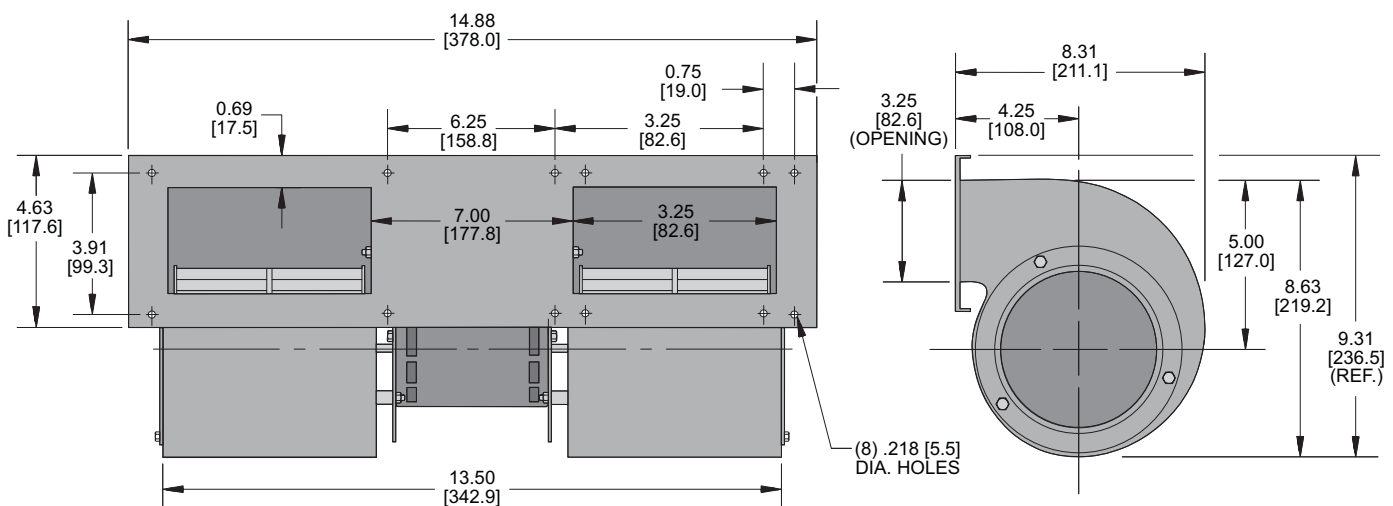
Airflow vs. static pressure curves are shown for 60 Hz and 50 Hz (broken line) inputs. Static pressure is in inches of water.

TECHNICAL DATA *

Model	Normally In-Stock	CFM @ 0" S.P.	Cutoff S.P.	RPM Nominal	Amps		Watts	Approximate Weight	
					Run.	L.R.		Lbs.	Kg.
KBB451	Yes	800	3.00	3350	5.6	18.1	630	22	10.0

* 115V, 60 Hz. operation

DIMENSIONS inches [metric]



Dimensions, inches [mm], are for reference only and subject to change.

kbb451.qxd 12/12/11

DESCRIPTION

KOOLTRONIC **Quadruplex Centrifugal Blowers** move more air with less noise and greater efficiency than comparably sized double centrifugal blowers. The optimum wheel width-to-diameter ratio and the specially designed housings, which minimize inlet losses, also contribute to an exceptionally even distribution of airflow for maximum cooling.

A unique motor mount design isolates the drive motor and rotating components from the blower structure for smooth, quiet operation with minimum vibration. **Quadruplex Blowers** are suitable wherever wide-band air movement is required and are especially useful for applications such as cooling printed circuit cards and other components in densely packed electronics cabinets.

STANDARD FEATURES

RUGGED CONSTRUCTION: Precision-engineered heavy-gauge steel construction insures blowers stand up under tough applications.

BAKED POWDER FINISH: Durable, baked-on gray powder finish is standard. Other finishes are available.

PRECISION BALL-BEARING MOTORS: All motors, whether permanent split capacitor or shaded pole, are UL/CSA Recognized and include automatic-reset thermal overload protection. Designed for low temperature rise, KOOLTRONIC motors are also cooled by the blowers' intake air, for maximum motor life. All motors meet Federal Specification CC-M-1807A, and include double-sealed or double-shielded precision ball bearings, which meet Federal Specification FF-B-171A. Special permanent lubricants perform over a broad temperature range: -20°F (-28.9°C) to 250°F (121.1°C). Consult KOOLTRONIC for motors designed to meet military or extreme environmental specifications.

POWER: 115 VAC or 230 VAC, 50/60 Hz is standard. For multi-phase power, other voltages and frequencies or brushless DC applications, consult KOOLTRONIC. **NOTE:** Some 230 Volt models may not be available or minimum purchases may apply. Contact Kooltronic for information.

LEADS: 12" [304.8mm] (minimum) power and ground leads. Special lengths and/or plugs available.

ACCESSORIES AND OPTIONS*

AIRFLOW SWITCH

OTHER VOLTAGES AND FREQUENCIES

SPECIAL EXTERNAL PAINT FINISHES

SPECIAL LINE CORD OR CONNECTORS

*Contact KOOLTRONIC for information.

KOOLTRONIC also designs and manufactures a variety of Blowers to meet *unique* specifications. We invite your inquiries about our modification and custom-design capabilities.