



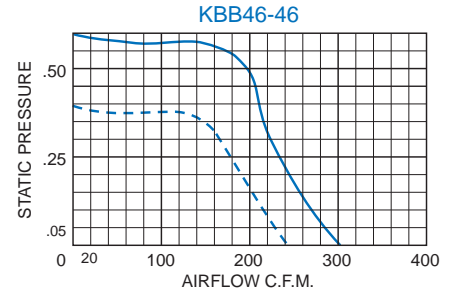
## ACCESSORIES AND OPTIONS

- Airflow Switch
- Automatic Speed Control
- Other voltages and frequencies
- Special external paint finishes
- Special line cord or connectors

## STANDARD FEATURES

- Capacity: 300 CFM
- Full performance in any mounting position
- Rugged construction with baked powder finish
- UL/CSA ball bearing motors
- 12-inch [304.8mm] (minimum) power and ground leads
- Accessories and options

## PERFORMANCE GRAPHS



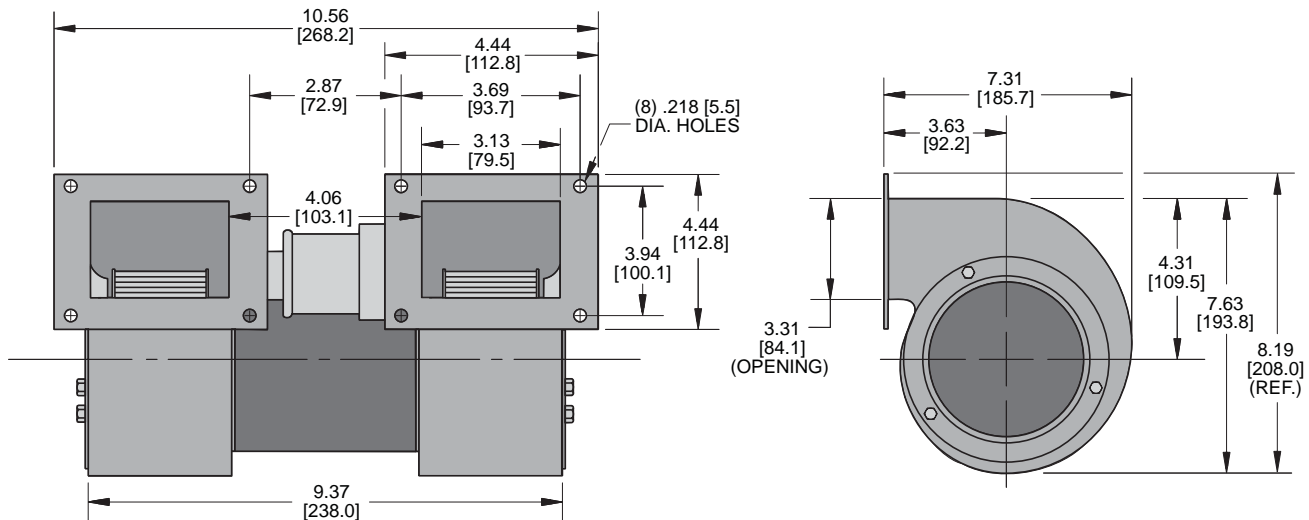
Airflow vs. static pressure curves are shown for 60 Hz and 50 Hz (broken line) inputs. Static pressure is in inches of water.

## TECHNICAL DATA\*

Model	CFM @ 0" S.P.	Cutoff S.P.	RPM Nominal	Amps		Watts	Approximate Weight	
				Run.	L.R.		Lbs.	Kg.
KBB46-46	300	0.60	1700	1.0	1.9	85	14	6.4

\* 115V, 60 Hz. operation

## DIMENSIONS inches [metric]



## DESCRIPTION

---

KOOLTRONIC **Double Centrifugal Blowers** are designed to provide greater airflow than the related single blower series, in the same types of low to moderate static pressure applications. Similarly, they are easily installed and operate with equal effectiveness in any mounting orientation.

Eleven models comprise the series, offering a choice of sizes and capacities to satisfy a wide variety of cooling requirements. Together, single and double centrifugal blowers are the backbone of forced convection air cooling.

These **Double Centrifugal Blowers** and the **Quadruplex Centrifugal Blowers** are the exclusive air movement components in virtually all KOOLTRONIC Packaged Blowers, Heat Exchangers and Air Conditioners.

## STANDARD FEATURES

---

**RUGGED CONSTRUCTION:** Precision-engineered heavy-gauge steel construction insures blowers stand up under tough applications.

**BAKED POWDER FINISH:** Durable, baked-on gray powder finish is standard. Other finishes are available.

**PRECISION BALL-BEARING MOTORS:** All motors, whether permanent split capacitor or shaded pole, are UL/CSA Recognized and include automatic-reset thermal overload protection. Designed for low temperature rise, KOOLTRONIC motors are also cooled by the blowers' intake air, for maximum motor life. All motors meet Federal Specification CC-M-1807A, and include double-sealed or double-shielded precision ball bearings, which meet Federal Specification FF-B-171A. Special permanent lubricants perform over a broad temperature range: -20°F (-28.9°C) to 250°F (121.1°C). Consult KOOLTRONIC for motors designed to meet military or extreme environmental specifications.

**POWER:** 115 VAC or 230 VAC, 50/60 Hz is standard. For multi-phase power, other voltages and frequencies or brushless DC applications, consult KOOLTRONIC. **NOTE:** Some 230 Volt models may not be available or minimum purchases may apply. Contact Kooltronic for information.

**LEADS:** 12" [304.8mm] (minimum) power and ground leads. Special lengths and/or plugs available.

## ACCESSORIES AND OPTIONS\*

---

AIRFLOW SWITCH

OTHER VOLTAGES AND FREQUENCIES

SPECIAL EXTERNAL PAINT FINISHES

SPECIAL LINE CORDS OR CONNECTORS

\*Contact KOOLTRONIC for information.

KOOLTRONIC also designs and manufactures a variety of Blowers to meet *unique* specifications. We invite your inquiries about our modification and custom-design capabilities.