

## TECHNICAL DATA

Model	CFM@ Cutoff		Capacitor				RPM	Max. Temp	
	0" S.P.	S.P.	Volts	Hz	Amps	Watts			
KBC4R355/127A	2070	2.1	115	60	4.0	450	30.0	1530	122°F/50°C



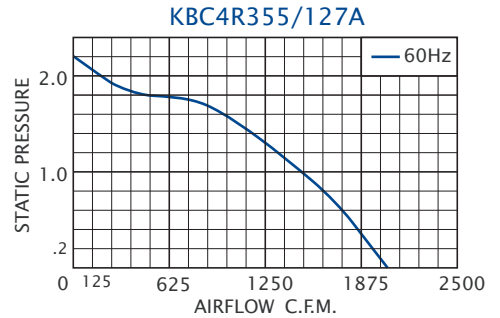
## STANDARD FEATURES

- Low noise level
- 2070 CFM capacity
- Available in 115 VAC, 60Hz
- Compact size
- Precision balanced
- External rotor design
- Precision ball-bearing motors
- Normally In-Stock

## ACCESSORIES\*

- Capacitor - P/N: 0452-88
- Inlet Ring - P/N: 1114-12

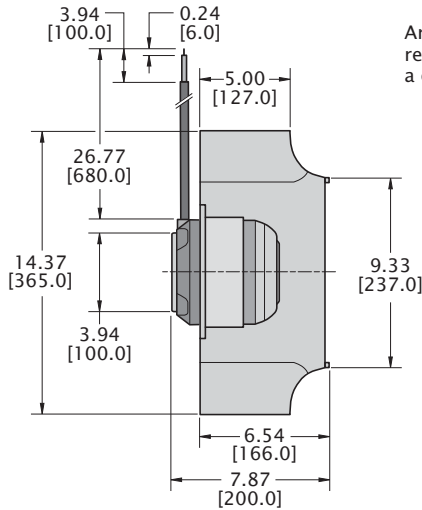
## PERFORMANCE



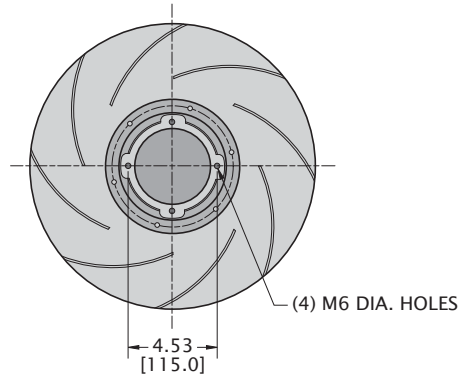
Airflow vs. static pressure curves are shown for 60 Hz and 50 Hz (broken line) inputs. Static pressure is in inches of water.

## DRAWINGS

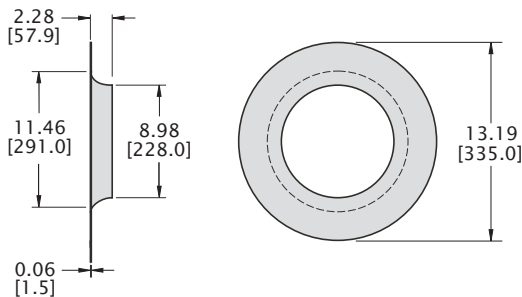
Dimensions, inches [mm], are for reference only and are subject to change.



An inlet ring, which must be installed by the customer, is recommended for optimum performance. This unit requires a capacitor which must be connected by the customer.



## INLET RING P/N: 1114-12



## TYPICAL INSTALLATION

