

TECHNICAL DATA

Model	Normally In Stock	Voltage	Frequency Hz	Input Amps	Input Watts	Unit Airflow CFM	Operating Temp. °F		Approx. Weight	
							Min.	Max.	Lbs.	Kg.
KNP60F	Yes	115 VAC	50/60	.27/.32	31/37	116/134	-40	158	6.5	2.9
K2NP60F	Yes	230 VAC	50/60	.12/.15	28/34	111/133	-40	158	6.5	2.9
K8NP60F		48 VDC	-	0.4	19.2	132	14	158	6.5	2.9



STANDARD FEATURES

- Integrated Fan Guards
- Integrated Sealing Gasket
- Most Assemblies are ETL Approved
- Secure Mounting
- Textured Baked Powder Finish
- UL/CSA Shielded Ball Bearing Motors
- Washable, Reuseable Filter

OPTIONS

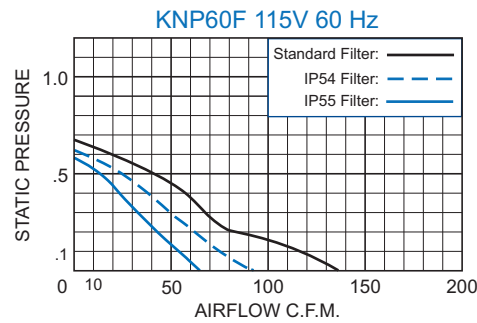
- Filter (P/N: 681F)
- IP54 & IP55 Filter Protection available
- Other voltages, both AC and DC
- Reversed Airflow Direction
- Grille Assembly (P/N: KNPA60F)



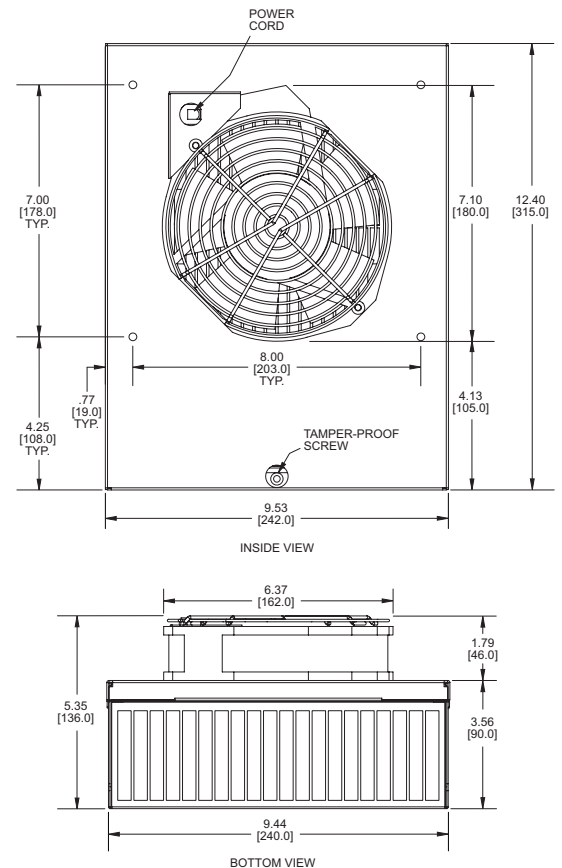
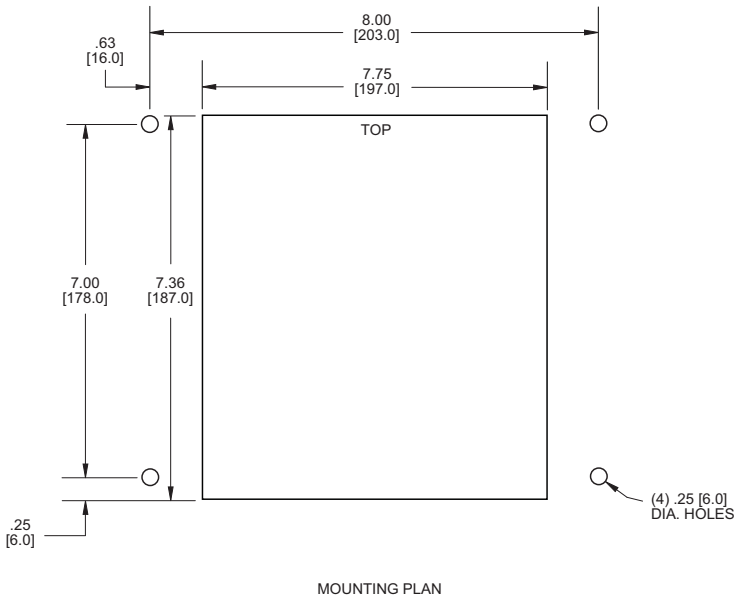
**NEMA
TYPE 3R
MAINTAINED**

Intertek is a nationally recognized testing laboratory (NRTL). They have tested these products and found them to comply to applicable UL Standards.

PERFORMANCE CHART



DRAWINGS



Dimensions, inches [mm], are for reference only and are subject to change.

knp60f.qxd 1/8/08

DESCRIPTION

Kooltronic has expanded its line of filter fans to include models offering the versatility and security of indoor or outdoor use. These new additions to the **Advantage Sentry Series Filter Fans** have a NEMA 3R Rating and are a perfect choice for dissipating high heat loads economically. These models are available in a variety of sizes, voltages and protection levels.

The new **Advantage Sentry Series Indoor/Outdoor Filter Fans** offer the same convenience, versatility and reliability as the **Advantage Sentry Series Filter Fans** with the added protection of a NEMA 3R rating, making these models an excellent choice for telecommunications and other outdoor applications.

COMPONENT CHARACTERISTICS

- Standard airflow direction is from the outside to the inside of the cabinet.
- The standard filters consist of a multi-layer grid of corrugated aluminum, securely held in a one-piece aluminum frame. A non-drying adhesive coating traps a high percentage of particulate matter. These filters are reuseable, they may be washed and recoated with the appropriate filter recoating adhesive. Replacements are available for those which become damaged or otherwise non-serviceable.

OPTIONS

- Other supply voltages, both AC and DC, are available on request.
- Filter fans can be supplied with reversed airflow direction (from inside the cabinet to outside). In this case the letter "R" must be added to the order code.
- Depending on the request and quantity, parts can be supplied in different colors.
- Optional available filters are stable up to 100°C and 100% rh.
- Optional available filters guarantee a continuously high level of protection according to EU4, with a 94% separation efficiency according to DIN 24185 Standard.
- With optional available filters, dust capacity is particularly high (620 g/m²), which reduces maintenance.

HOW TO ORDER

Specify model number.