



KNPA100F

DESCRIPTION

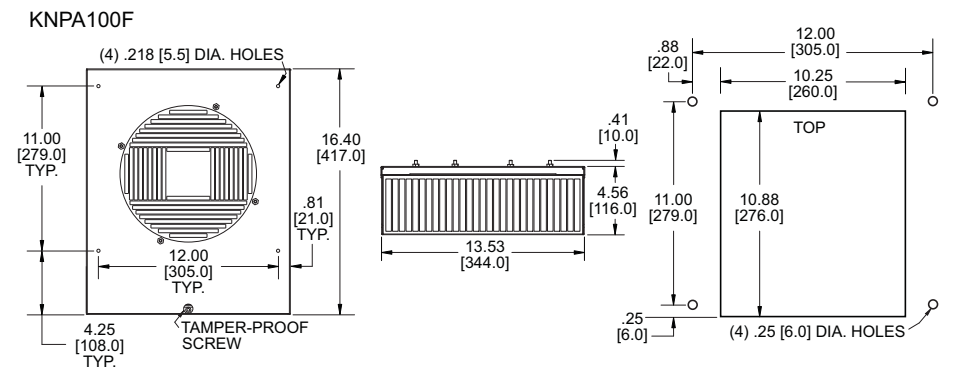
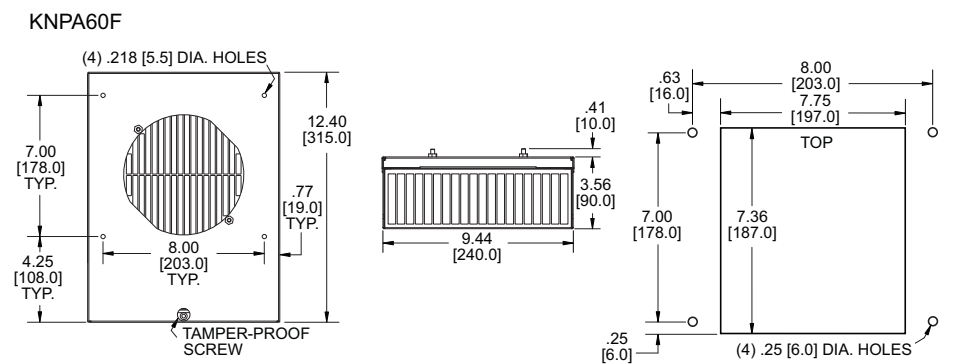
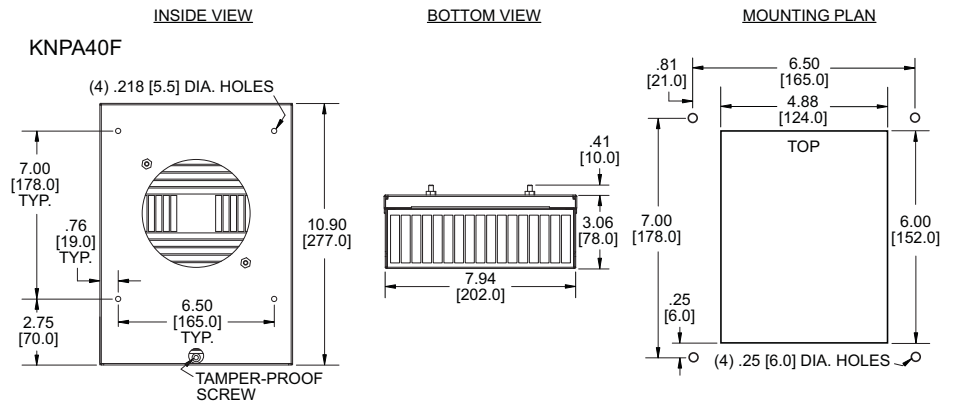
These Filter-Grille Assemblies can be used in conjunction with the Advantage Sentry Series Filter Fans for enclosure cooling. In a typical mounting orientation the motorized Filter Fan pulls air into an enclosure while the Filter-Grille Assembly functions as an outlet. Alternatively, if the reverse airflow option is chosen for the filter fan, the fan exhausts the enclosure and the Filter-Grille Assembly functions as an intake. These Filter-Grille Assemblies feature filters that are easily removed for cleaning or replacement.

STANDARD FEATURES

- Integrated Sealing Gasket
- Secure Mounting
- Textured Baked Powder Finish
- Washable, Reuseable Filter

ACCESSORIES AND OPTIONS

- Custom Grille Colors
- Filters (Optional filters guarantee a high level of protection according to EU4, with a 94% separation efficiency according to DIN 24185 Standard)



TYPICAL MOUNTING ORIENTATIONS

(Left) Filter Fan pressurizes cabinet. Filter-Grille Assembly exhausts cabinet. (Right) Filter Fan with Reverse Option chosen. Blue arrows show direction of airflow. Boxes represent side view of electronics/electrical enclosure.

