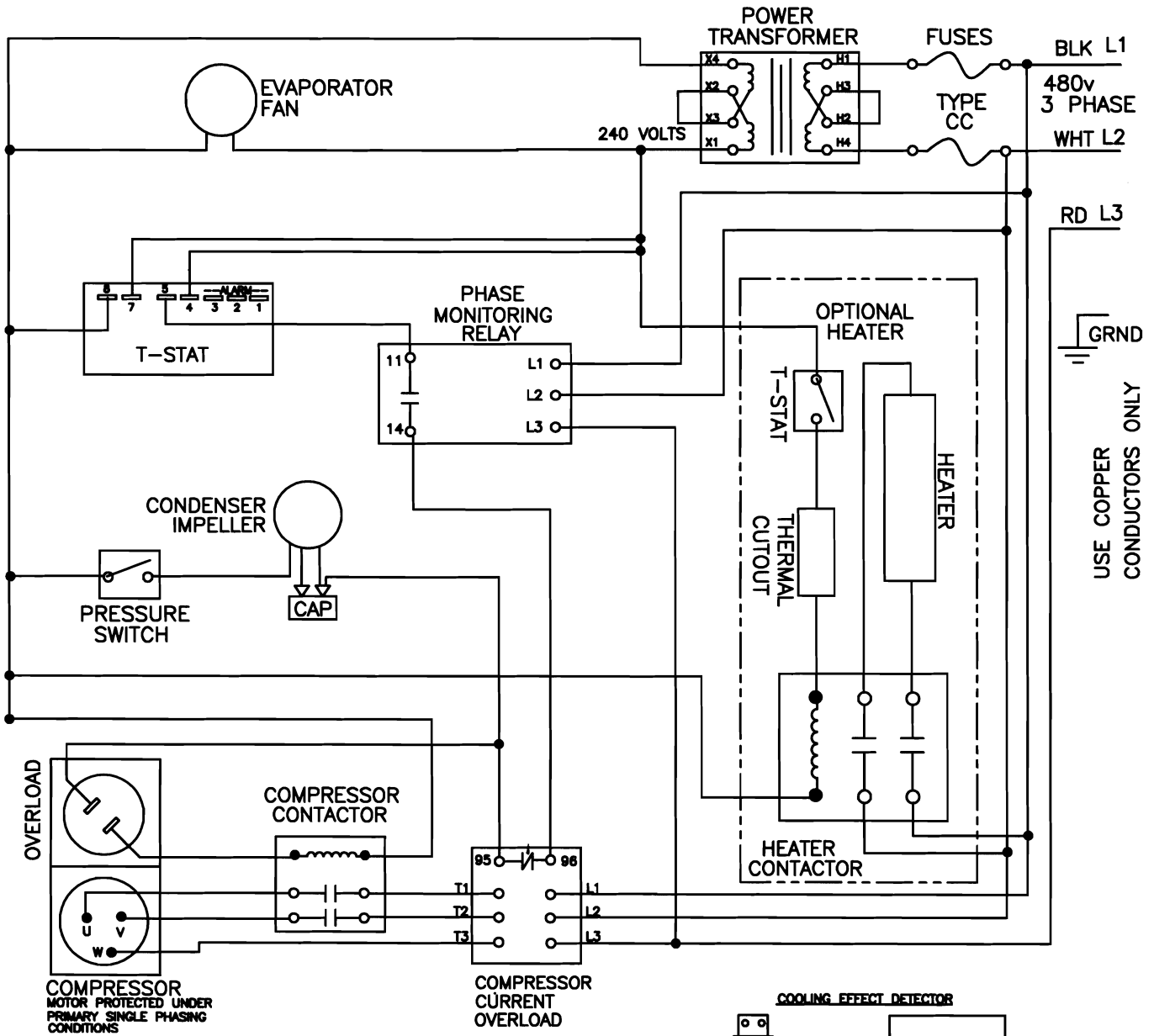


THIS DOCUMENT IS THE PROPERTY OF KOOLTRONIC, INC. AND CONTAINS PROPRIETARY AND CONFIDENTIAL INFORMATION WHICH MUST NOT BE DUPLICATED, USED OR DISCLOSED TO OTHERS, EXCEPT AS EXPRESSLY AUTHORIZED IN WRITING BY KOOLTRONIC, INC.

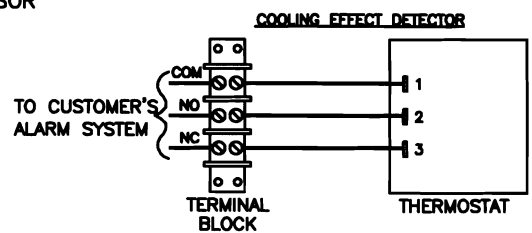
REVISIONS

SYM	NOTICE	DESCRIPTION	DATE	APPROVED
-	ER 13/013	NEW DRAWING RELEASE	7/9/13	JS



USE COPPER CONDUCTORS ONLY

COMPRESSOR MOTOR PROTECTED UNDER PRIMARY SINGLE PHASING CONDITIONS



COMPRESSOR CURRENT OVERLOAD	
MODEL	TRIP CURRENT SETTINGS
K3N44C4SP2BL	2.2 AMPS

ALL DIMENSIONS ARE IN INCHES, DIMENSIONS DESIGNATED MM ARE IN MILLIMETERS.

UNLESS OTHERWISE SPECIFIED TOLERANCES NON-ACCUMULATIVE			DRAWN	DATE
TOL. ON	INCHES	MM	JERRY STEDNICK	7/9/13
.XX	± .02	±	CHECKED	
.XXX	± .010	±	Steve Schmierer	7/17/13
ANGULAR		± 1/2°	ENG.	
			JIM DISLER	7/9/13
			MFG. ENG.	



WIRING DIAGRAM

MATERIAL	UNITS	APPROVED	DATE	CODE IDENT. NO.	SIZE	DWG. NO.	REV
	SP28 3PHASE	Joe M/Bruce K	7/24/13	06223	A	WD-1445	-
				SCALE N/A	CAD. REF. WD-1445	SHEET 1 OF 1	