

TECHNICAL DATA

Model	UL/CUL		Ambient Temp.				**		Volts	Hz	Running Amps	Weight	
	Normally In Stock	Listed or Recognized	BTU/H Rating	95/95 Rating	°F		°C					lbs	kg
					Max.	Min.	Max.	Min.					
KA4C2DP17L	Yes	Listed	2000	1500	131	-20	55	-29	115/100	60/50	4.0	38	17

** Rating shown is for operation at maximum ambient temperature.



STANDARD FEATURES

- Built-in Condensate Evaporator
- CFC-Free Refrigerant
- Closed-Loop Cooling
- EMI/RFI Suppressor
- Epoxy-Coated Condenser Coils
- Heavy-duty Steel Shell
- Mounts Internally or Externally
- NEMA 12 & 3R Ratings Maintained (UL50)
- Six-Foot [1.8m] (minimum) SJT 3-Wire Power Cord
- Textured Baked Powder Finish
- Two Stage Thermostat
- UL/CUL Listed

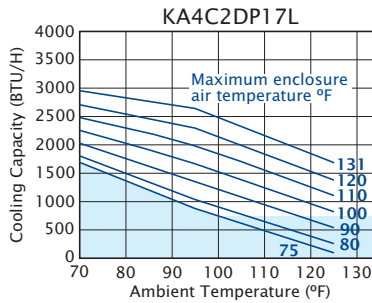
ACCESSORIES AND OPTIONS

- Cooling Effect Detector
- Enclosure Heater
- Filter (for external mount only)
- Filter Recoating Adhesive
- Internal Corrosion Protection
- Replacement Filters (for external mount only)
- Short Cycle Protector
- Special materials or finishes
- Special motors, line cords or connectors
- Stainless Steel Shell

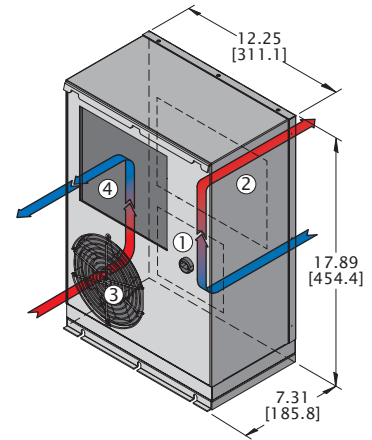


NEMA
TYPE 12 & 3R
MAINTAINED

PERFORMANCE



Operation within shaded area not recommended.

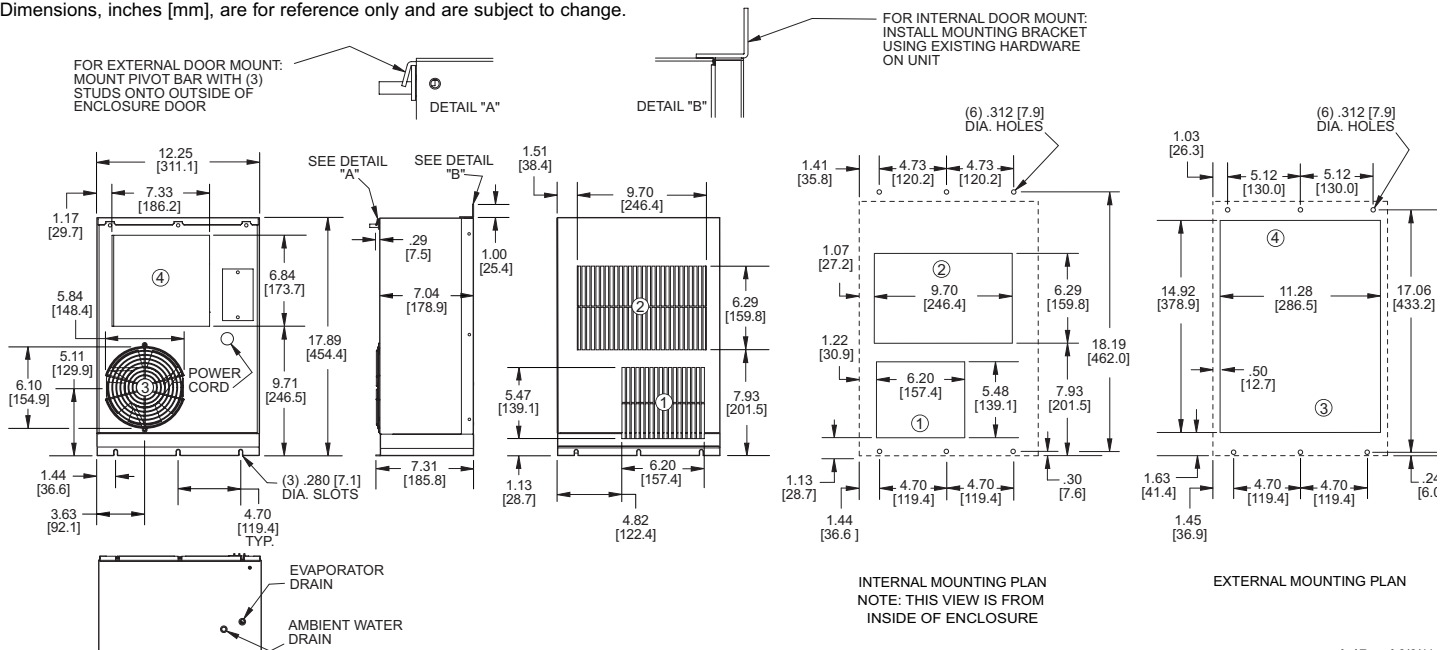


- ① CONDENSER AIR INLET (Ambient Air In)
- ② CONDENSER OUTLET (Warm Ambient Air Out)
- ③ WARM AIR RETURN FROM ENCLOSURE
- ④ COOL AIR OUTLET TO ENCLOSURE

DRAWINGS

Many popular units are available as 3D solid models for customer system integration. Please contact Kooltronic for details.

Dimensions, inches [mm], are for reference only and are subject to change.



dp17.qxd 6/6/11

PROFILE SERIES DP17 PANEL-MOUNT AIR-COOLED AIR CONDITIONER



DESCRIPTION

The **Profile Series** Air Conditioners are designed specifically for cooling electronic enclosures and can be used for both indoor and outdoor applications. Engineered to be mounted either outside or inside of an enclosure, the **Profile Series** Air Conditioners are the first Kooltronic models to offer this degree of flexibility.

The narrow depth of the **Profile Series** allows the option of internal mounting, making the units virtually tamper-proof. The features engineered into all of the **Profile Series** models make them a tamper-resistant choice for external applications. Combined with a NEMA 12 & 3R Rating, with all models UL/CUL Listed, the **Profile Series** is an excellent choice for telecommunications or other outdoor cabinet applications.

STANDARD FEATURES

CLOSED-LOOP COOLING: The enclosure interior airflow system is isolated from the ambient airflow system. Ambient air can not invade the cool, dehumidified sensitive component compartment.

MOUNTS INTERNALLY OR EXTERNALLY: The **Profile Series** Air Conditioners have been engineered to be mounted either outside or inside of an enclosure, offering an unprecedented degree of flexibility. Air conditioners are traditionally mounted on the outside of an enclosure because space inside an enclosure is at a premium. The dimensions of the **Profile Series** make the option of internal mounting a reality, which allows the unit to fit into spaces previously too small for an air conditioner. With such a narrow depth, the **Profile Series** is the thinnest line of indoor/outdoor air conditioners Kooltronic has ever developed.

TEXTURED BAKED POWDER FINISH: Durable, baked-on textured beige powder finish is standard. Other finishes are available.

EPOXY-COATED CONDENSER COILS: Condenser Coils in the **Profile Series** are Epoxy-Coated. This coating will withstand 1000 hours of salt spray per the ASTM B 117 test method. **NOTE:** Severe operational environments such as waste water treatment and salt spray are likely to cause corrosion failure over a period of time regardless of coating.

Warranty: Corrosive conditions may effect the warranty coverage. Consult factory for warranty limitations in corrosive environments.

TWO STAGE THERMOSTAT*

POWER: Available in 115 VAC, 50/60 switchable.

REFRIGERANT: CFC-free R134a Refrigerant is used in the **Profile Series DP17** Air Conditioners.

EMI/RFI SUPPRESSOR: EMI/RFI Suppressor minimizes transient line spikes during on/off cycling.

HEAVY-DUTY STEEL SHELL: Precision-engineered heavy gauge steel construction of all shells and blowers insures Air Conditioners will stand up under tough applications.

POWER CORD: All models have six foot [1.8m] SJT-type 3-wire power cords with appropriate plugs.

INSULATION: All cold components, lines and the evaporator compartment are insulated with high-performance insulation for maximum efficiency.

GASKETING: All units are fully gasketed for tight, leakproof installation, in compliance with the NEMA 3R Enclosure Rating.

QUALITY ASSURANCE: Refrigeration system components are kept sealed until charged with refrigerant; all brazed joints are thoroughly leak-tested; each unit is functionally tested before shipment.

UL/CUL LISTED: The **Profile Series DP17** is UL/CUL Listed.

ACCESSORIES AND OPTIONS*

COOLING EFFECT DETECTOR: A thermostat is mounted inside the cabinet and attached to a sensor in the warm air return. When the air temperature increases to the set point, a signal is sent to a terminal block. User-installed wiring from the terminal block to local and/or remote warning devices (*light, bell, siren, etc.*) can be for normally open or closed operation.

FILTERS: Multi-layer grid of sturdy, corrugated aluminum in an aluminum frame. May be reused after washing off accumulations and spraying with A-16 Recoating Adhesive. (Filters are for external mount only).

FILTER RECOATING ADHESIVE: This compound is a superior product for recoating filters after washing. The adhesives penetrate dirt layers to keep the filter surface tacky for longer effective performance between washings.

ENCLOSURE HEATER: 120V or 240V fin strip heater, installed singly or ganged, used to maintain desired internal enclosure temperature, under cold operating conditions.

REPLACEMENT FILTER: Filter consisting of a multi-layer grid of sturdy corrugated aluminum, securely held in a one-piece aluminum frame. (Filters are for external mount only).

The DP17 optional filter Part No. 7007F (7.00" x 6.25" x 0.38" [177.8mm x 158.8mm x 9.7mm])

STAINLESS STEEL SHELL: For applications in corrosive or other hostile environments such as those requiring Internal Corrosion Resistant Coatings, especially where chemical/moisture combinations are present.

Special materials or finishes*

Special motors, line cords or connectors*

*Contact KOOLTRONIC for more information.



A mounting bracket with existing hardware is used when the **Profile Series** Air Conditioners are mounted internally.



A pivot bar is used when the **Profile Series** Air Conditioners are mounted externally.



The slim depth of the **Profile Series** allows the air conditioners to be mounted internally, making them virtually tamper-proof.