



# PROFILE SERIES DP33 PANEL-MOUNTED AIR-COOLED AIR CONDITIONERS

Products in red are legacy products. Legacy products are no longer in normal production. Consult factory for availability. Recommended replacement: See *Guardian/GuardianX* or *SlimKool* Series.

Model	UL/CUL		Ambient Temp.				Volts	Hz	* Running Amps	Approx. Weight			
	Normally In Stock	Listed or Recognized	BTU/H Rating	95/95 Rating	°F Max.	°F Min.				°C Max.	°C Min.	lbs	kg
KA4C5DP33L	Yes	Listed	5000	4000	131	-20	55	-29	115/100	60/50	9.3/9.0	95	43
K2A4C5DP33L	Yes	Listed	5000	4000	131	-20	55	-29	230	60/50	4.5	95	43

\* Rating shown is for operation at maximum ambient temperature.

## STANDARD FEATURES

- Baked Powder Finish
- Built-in Condensate Evaporator
- CFC-Free Refrigerant
- Closed-Loop Cooling
- Condenser Impeller Speed Controller
- Epoxy-Coated Condenser Coils
- Heavy-duty Steel Shell
- Low Temperature Control Thermostat
- Mounts Internally or Externally
- NEMA 12 & 3R Ratings Maintained (UL50)
- Six-Foot [1.8m] (minimum) 3-Wire Power Cord
- UL/CUL Listed

## ACCESSORIES AND OPTIONS

- Compressor Short Cycle Protector
- Enclosure Heater
- Filter
- Filter Recoating Adhesive
- Internal Corrosion Protection
- Lead-Lag Controller
- Other voltages and frequencies
- Remote Thermostat Relay
- Replacement Filters
- Special materials or finishes
- Special motors, line cords or connectors
- Stainless Steel Shell
- Temperature Alarm



NEMA TYPE 12 & 3R MAINTAINED



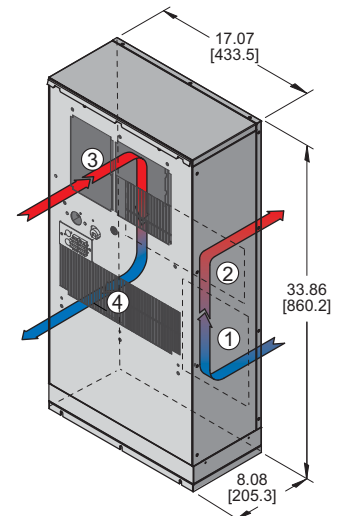
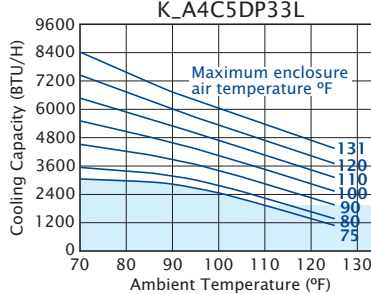
Find additional information on this model at [kooltronic.com](http://kooltronic.com), or use the Technical Documents QR code below.

Technical Documents



- ① CONDENSER AIR INLET (Ambient Air In)
- ② CONDENSER OUTLET (Warm Ambient Air Out)
- ③ WARM AIR RETURN FROM ENCLOSURE
- ④ COOL AIR OUTLET TO ENCLOSURE

## PERFORMANCE



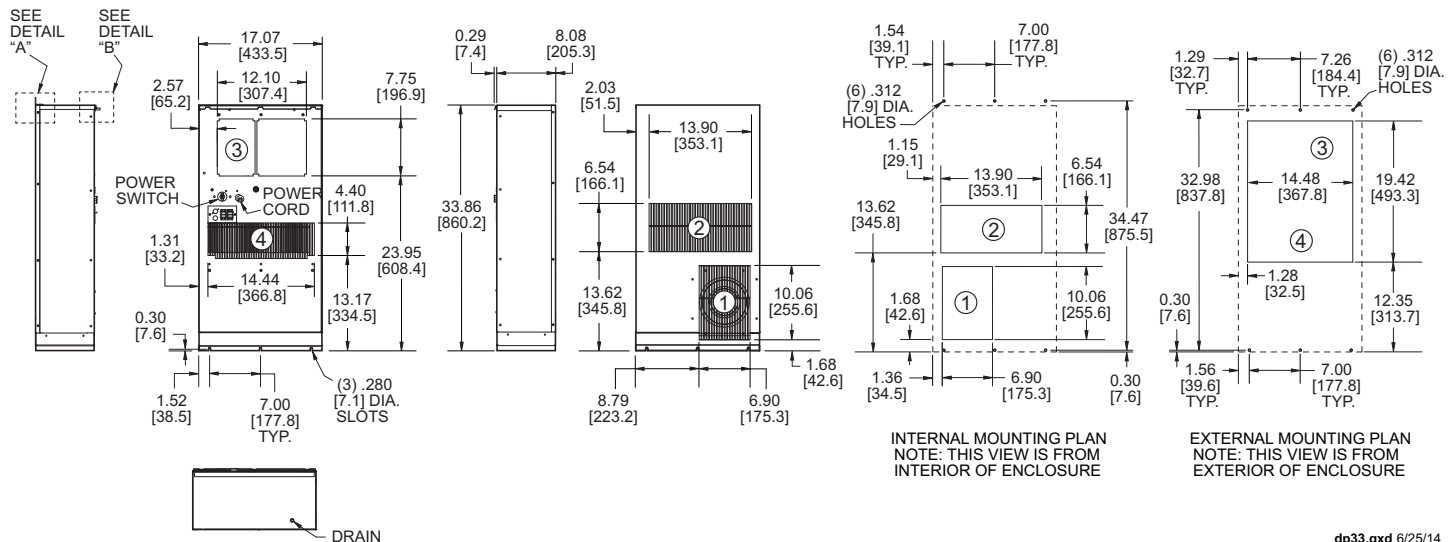
## DRAWINGS

Dimensions, inches [mm], are for reference only and are subject to change.

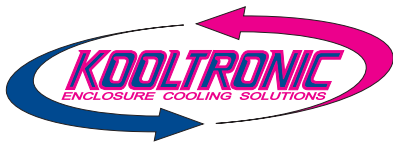
Many popular units are available as 3D solid models for customer system integration. Please contact Kooltronic for details.

DETAIL "A" INTERNAL MOUNT ONLY  
INSTALL MOUNTING BRACKET FOR INTERNAL MOUNTING. USE EXISTING HARDWARE ON UNIT TO MOUNT BRACKET

DETAIL "B" EXTERNAL MOUNT ONLY  
PIVOT BAR WITH (3) 1/4" STUDS TO BE MOUNTED ON EXTERIOR OF CUSTOMER'S ENCLOSURE



dp33.qxd 6/25/14



# PROFILE SERIES DP33 PANEL-MOUNTED AIR-COOLED AIR CONDITIONERS

## DESCRIPTION

The **Profile Series** Air Conditioners are designed specifically for cooling electronic enclosures and can be used for both indoor and outdoor applications. Engineered to be mounted either outside or inside of an enclosure, the **Profile Series** Air Conditioners are the first Kooltronic models to offer this degree of flexibility.

The narrow depth of the **Profile Series** allows the option of internal mounting, making the units virtually tamper-proof. The features engineered into all of the **Profile Series** models make them a tamper-resistant choice for external applications. Combined with a NEMA 12 & 3R Rating, with all models UL/CUL Listed, the **Profile Series** is an excellent choice for telecommunications or other outdoor cabinet applications.

## STANDARD FEATURES

**BAKED POWDER FINISH:** Durable, baked-on powder finish is standard. Other finishes are available.

**CLOSED-LOOP COOLING:** The enclosure interior airflow system is isolated from the ambient airflow system. Ambient air can not invade the cool, dehumidified sensitive component compartment.

**CONDENSER IMPELLER SPEED CONTROLLER:** A solid state sensor reacting to the condenser coil temperature modulates the condenser impeller between minimum and maximum speed based on the coil temperature. This reduces noise levels, fan cycling, compressor cycling and prevents the unit from freezing.

**EPOXY-COATED CONDENSER COILS:** Condenser Coils in the **Profile Series** are Epoxy-Coated. This coating will withstand 1000 hours of salt spray per the ASTM B 117 test method. **NOTE:** Severe operational environments such as waste water treatment and salt spray are likely to cause corrosion failure over a period of time regardless of coating.

**Warranty:** Corrosive conditions may effect the warranty coverage. Consult factory for warranty limitations in corrosive environments.

**GASKETING:** All units are fully gasketed for tight, leakproof installation, in compliance with the NEMA 3R Enclosure Rating.

**HEAVY-DUTY STEEL SHELL:** Precision-engineered heavy gauge steel construction of all shells and blowers insures Air Conditioners will stand up under tough applications.

**INSULATION:** All cold components, lines and the evaporator compartment are insulated with high-performance insulation for maximum efficiency.

**LOW TEMPERATURE CONTROL THERMOSTAT:** Thermostatic Low Temperature Control prevents over-cooling and provides energy-efficient operation

**MOUNTS INTERNALLY OR EXTERNALLY:** The **Profile Series** Air Conditioners have been engineered to be mounted either outside or inside of an enclosure, offering an unprecedented degree of flexibility. Air conditioners are traditionally mounted on the outside of an enclosure because space inside an enclosure is at a premium. The dimensions of the **Profile Series** make the option of internal mounting a reality, which allows the unit to fit into spaces previously too small for an air conditioner. With such a narrow depth, the **Profile Series** is the thinnest line of indoor/outdoor air conditioners Kooltronic has ever developed.

**POWER:** Available in 115 VAC, 60 Hz and 230 VAC, 50 Hz or 60 Hz.

**POWER CORD:** All models have six foot [1.8m] 3-wire power cord.

**QUALITY ASSURANCE:** Refrigeration system components are kept sealed until charged with refrigerant; all brazed joints are thoroughly leak-tested; each unit is functionally tested before shipment.

**REFRIGERANT:** CFC-free R134a Refrigerant is used in the **Profile Series DP33** Air Conditioners.

**UL/CUL LISTED:** The **Profile Series DP33** is UL/CUL Listed.

## ACCESSORIES AND OPTIONS\*

**COMPRESSOR SHORT CYCLE PROTECTOR:** Protects the compressor from possible damage due to harmful short cycling.

**ENCLOSURE HEATER:** 120V or 240V fin strip heater, installed singly or ganged, used to maintain desired internal enclosure temperature, under cold operating conditions.

**FILTER RECOATING ADHESIVE:** This compound is a superior product for recoating filters after washing. The adhesives penetrate dirt layers to keep the filter surface tacky for longer effective performance between washings.

**REPLACEMENT FILTER:** Filter consisting of a multi-layer grid of sturdy corrugated aluminum, securely held in a one-piece aluminum frame. The DP33 filter Part No. 11001F (11.00" x 8.00" x 0.50" [279.4mm x 203.2mm x 12.7mm]) (Filters are for external mount only).

**STAINLESS STEEL SHELL:** For applications in corrosive or other hostile environments such as those requiring Internal Corrosion Resistant Coatings, especially where chemical/moisture combinations are present.

**TEMPERATURE ALARM:** A thermostat is mounted inside the cabinet and attached to a sensor in the warm air return. When the air temperature increases to the set point, a signal is sent to a terminal block. User-installed wiring from the terminal block to local and/or remote warning devices (*light, bell, siren, etc.*) can be for normally open or closed operation.

**Other voltages and frequencies\***

**Special materials or finishes\***

**Special motors, line cords or connectors\***

\*Contact KOOLTRONIC for more information.



A mounting bracket with existing hardware is used when the **Profile Series** Air Conditioners are mounted internally.



A pivot bar is used when the **Profile Series** Air Conditioners are mounted externally.