

## TECHNICAL DATA

Model	UL/CUL				Ambient Temp.				Volts	Hz	** Running Amps 131°F/131°F	Weight	
	Normally In Stock	Listed or Recognized	BTU/H Rating	95/95 Rating	°F		°C					lbs	kg
					Max.	Min.	Max.	Min.					
K3A4C5DP38L	Yes	Listed	5000	4800	131	0	55	-18	480	60	2.0	115	52

\*\* Rating shown is for operation at maximum ambient temperature.

## STANDARD FEATURES

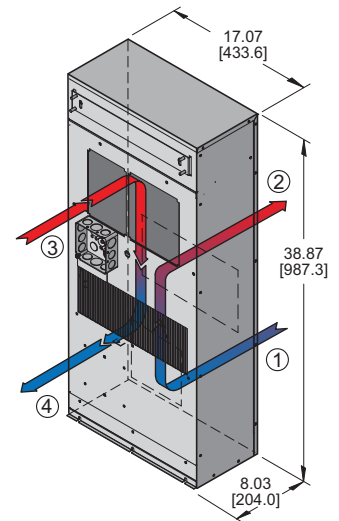
- Built-in Condensate Evaporator
- CFC-Free Refrigerant
- Closed-Loop Cooling
- Condenser Impeller Speed Controller
- EMI-RFI Suppressor
- Epoxy-Coated Condenser Coil
- External junction box for permanent wiring connections
- Heavy-duty Steel Shell
- Low Temperature Control Thermostat
- Mounts Externally
- NEMA 12 & 3R Ratings Maintained (UL50)
- Phase Sequence/Phase Loss Detector
- Textured Baked Power Finish
- UL/CUL Listed

## ACCESSORIES AND OPTIONS

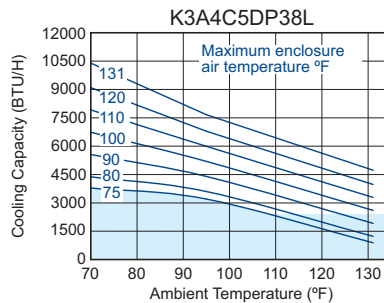
- Cooling Effect Detector
- Enclosure Heater
- Filter
- Filter Recoating Adhesive
- Internal Corrosion Protection
- Lead-Lag Controller
- Remote Thermostat Relay
- Replacement Filters
- Short Cycle Protector
- Special paint finishes
- Stainless Steel Shell



**NEMA**  
TYPE 12 & 3R  
MAINTAINED



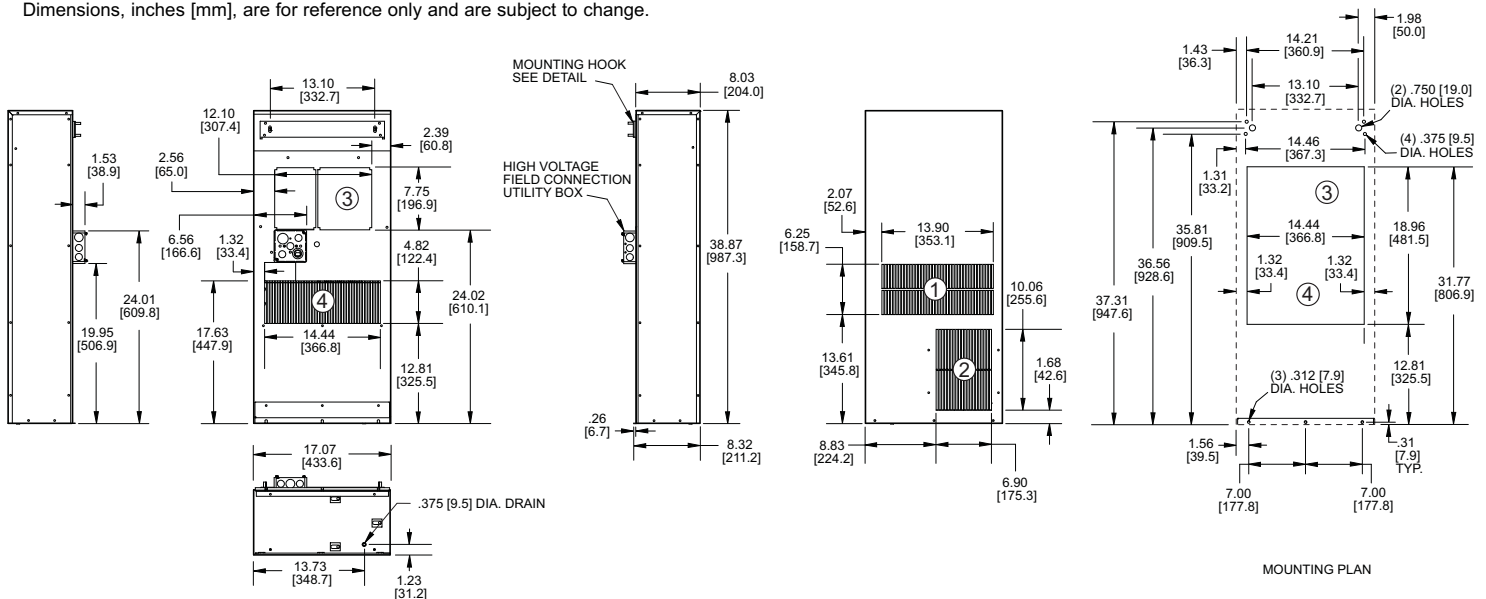
## PERFORMANCE



- ① CONDENSER AIR INLET (Ambient Air In)
- ② CONDENSER OUTLET (Warm Ambient Air Out)
- ③ WARM AIR RETURN FROM ENCLOSURE
- ④ COOL AIR OUTLET TO ENCLOSURE

## DRAWINGS

Dimensions, inches [mm], are for reference only and are subject to change.



## DESCRIPTION

The **Profile Series** Air Conditioners are designed specifically for cooling electronic enclosures and can be used for both indoor and outdoor applications. The features engineered into all of the **Profile Series** models make them a tamper-resistant choice for external applications. Combined with a NEMA 12 & 3R Rating, with all models UL/CUL Listed, the **Profile Series** is an excellent choice for telecommunications or other outdoor cabinet applications.

## STANDARD FEATURES

**CLOSED-LOOP COOLING:** The enclosure interior airflow system is isolated from the ambient airflow system. Ambient air can not invade the cool, dehumidified sensitive component compartment.

**MOUNTS EXTERNALLY:** These **Profile Series** Air Conditioners have been engineered to be mounted outside of an enclosure. The **Profile Series** is the thinnest line of indoor/outdoor air conditioners Kooltronic has ever developed.

**TEXTURED BAKED POWDER FINISH:** Durable, baked-on textured beige powder finish is standard. Other finishes are available.

**POWER:** 480-Volt, 3-Phase

**REFRIGERANT:** CFC-free R134a Refrigerant is used in the **Profile Series DP38** Air Conditioners.

**HEAVY-DUTY STEEL SHELL:** Precision-engineered heavy gauge steel construction of all shells and blowers insures Air Conditioners will stand up under tough applications.

**LOW TEMPERATURE CONTROL THERMOSTAT:** Thermostatic Low Temperature Control prevents over-cooling and provides energy-efficient operation.

**CONDENSER IMPELLER SPEED CONTROLLER:** A solid state sensor reacting to the condenser coil temperature modulates the condenser impeller between minimum and maximum speed based on the coil temperature. This reduces noise levels, fan cycling, compressor cycling and prevents the unit from freezing.

**INSULATION:** All cold components, lines and the evaporator compartment are insulated with high-performance insulation for maximum efficiency.

**GASKETING:** All units are fully gasketed for tight, leakproof installation, in compliance with the NEMA 3R Enclosure Rating.

**QUALITY ASSURANCE:** Refrigeration system components are kept sealed until charged with refrigerant; all brazed joints are thoroughly leak-tested; each unit is functionally tested before shipment.

**UL/CUL LISTED:** The **Profile Series DP38** is UL/CUL Listed.

## ACCESSORIES AND OPTIONS\*

**COOLING EFFECT DETECTOR:** A thermostat is mounted inside the cabinet and attached to a sensor in the warm air return. When the air temperature increases to the set point, a signal is sent to a terminal block. User-installed wiring from the terminal block to local and/or remote warning devices (*light, bell, siren, etc.*) can be for normally open or normally closed operation.

**ENCLOSURE HEATER:** 120V or 240V fin strip heater, installed singly or ganged, used to maintain desired internal enclosure temperature, under cold operating conditions.

**FILTERS:** Multi-layer grid of sturdy, corrugated aluminum in an aluminum frame. May be reused after washing off accumulations and spraying with A-16 Recoating Adhesive.

**FILTER RECOATING ADHESIVE:** This compound is a superior product for recoating filters after washing. The adhesives penetrate dirt layers to keep the filter surface tacky for longer effective performance between washings.

**REPLACEMENT FILTER:** Filter consisting of a multi-layer grid of sturdy corrugated aluminum, securely held in a one-piece aluminum frame.

The DP38 optional filter Part No. 11001F (11.00" x 8.00" x 0.50" [279.4mm x 203.2mm x 12.7mm])

**SHORT CYCLE PROTECTOR:** Protects the compressor from possible damage due to harmful short cycling, (frequent starting) where temperature controls enable the compressor to restart frequently or after a power interruption.

**STAINLESS STEEL SHELL:** For applications in corrosive or other hostile environments such as those requiring Internal Corrosion Resistant Coatings, especially where chemical/moisture combinations are present.

### Special materials or finishes\*

\*Contact KOOLTRONIC for more information.