

These units are discontinued, and this information is presented for reference purposes only.  
Recommended replacement: See *Guardian/GuardianX* or *SlimKool Series* or current *TrimLine Series*.

## TECHNICAL DATA

Model	UL/CUL		BTU/H				Ambient Temp.				Volts	Hz	** Running Amps	Weight	
	Normally In Stock	Listed or Recognized	Rating	95/95 Rating	°F		°C		lbs	kg					
					Max.	Min.	Max.	Min.							
K2A3C14DP50L	Yes	Listed	13100	11200	131	20	55	-28.8	230	50	13.0	207	94		
K2A3C14DP50L	Yes	Listed	14000	12400	131	20	55	-28.8	230	60	12.7	207	94		

\*\* Rating shown is for operation at maximum ambient temperature.

## STANDARD FEATURES

- Closed-Loop Cooling
- Condenser Blower Controller
- EMI/RFI Suppressor
- Epoxy-Coated Condenser Coil
- Filter
- Heavy-duty Steel Shell
- Low-ODP Refrigerant
- Low Temperature Control Thermostat
- Mounts Externally
- NEMA 12 & 3R Ratings Maintained (UL50)
- Textured Baked Powder Finish
- UL/CUL Listed

## ACCESSORIES AND OPTIONS

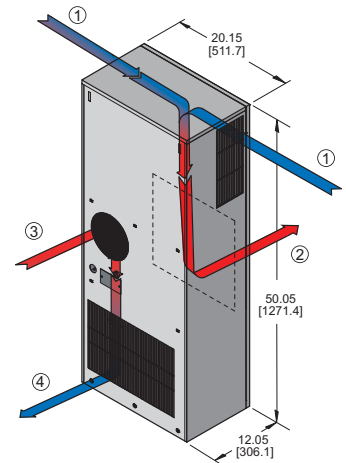
- Cooling Effect Detector
- Enclosure Heater
- Filter Recoating Adhesive
- Internal Corrosion Protection
- Other voltages and frequencies
- Remote Thermostat Relay
- Replacement Filters
- Special materials or finishes
- Stainless Steel Shell



**NEMA**  
TYPE 12 & 3R  
MAINTAINED

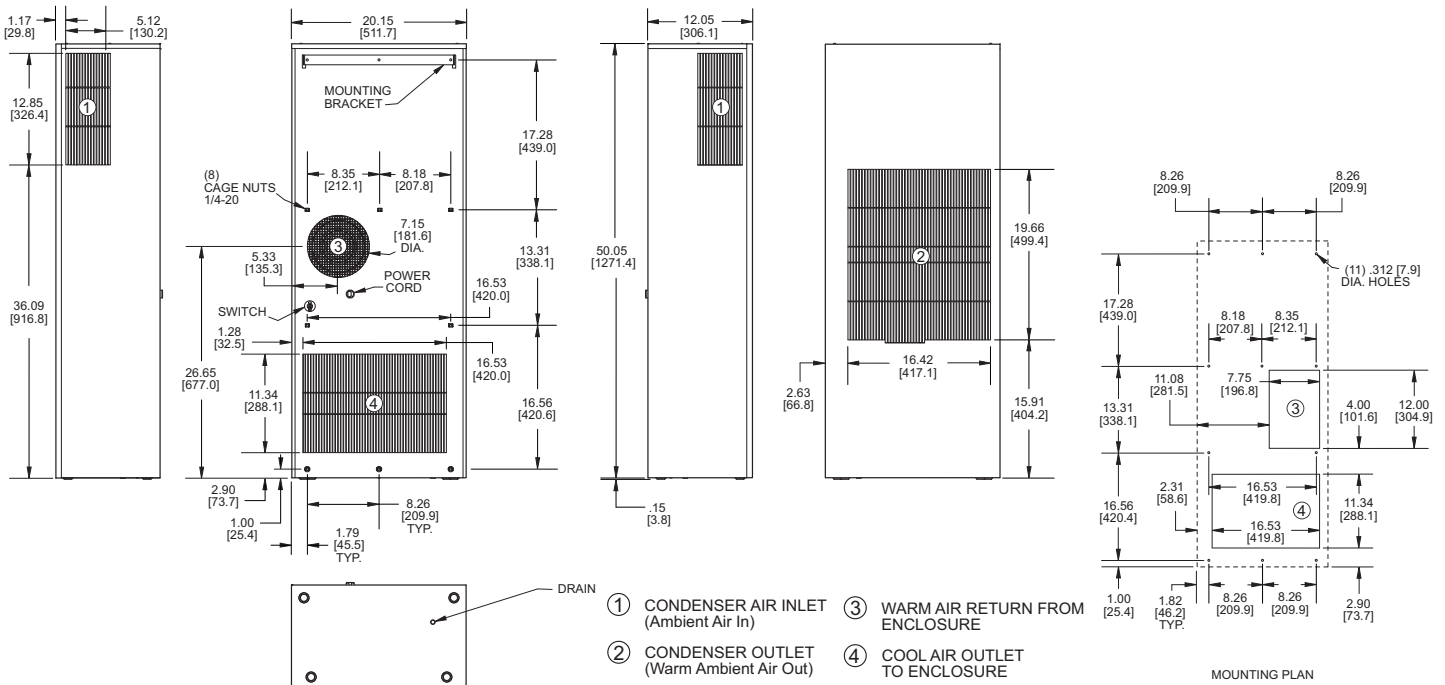


**DISCONTINUED**



## DRAWINGS

Dimensions, inches [mm], are for reference only and are subject to change.



## DESCRIPTION

The **Profile Series** Air Conditioners are designed specifically for cooling electronic enclosures and can be used for both indoor and outdoor applications. The features engineered into all of the **Profile Series** models make them a tamper-resistant choice for external applications. Combined with a NEMA 12 & 3R Rating, with all models UL/CUL Listed, the **Profile Series** is an excellent choice for telecommunications or other outdoor cabinet applications.

## STANDARD FEATURES

**CLOSED-LOOP COOLING:** The enclosure interior airflow system is isolated from the ambient airflow system. Ambient air can not invade the cool, dehumidified sensitive component compartment.

**MOUNTS EXTERNALLY:** These **Profile Series** Air Conditioners have been engineered to be mounted outside of an enclosure. The **Profile Series** is the thinnest line of indoor/outdoor air conditioners Kooltronic has ever developed.

**TEXTURED BAKED POWDER FINISH:** Durable, baked-on textured beige powder finish is standard. Other finishes are available.

**POWER:** Available in 230 Volt, 50/60 Hz.

**REFRIGERANT:** Low-ODP R22 Refrigerant is used in the **Profile Series DP50** Air Conditioners.

**EMI/RFI SUPPRESSOR:** EMI/RFI Suppressor minimizes transient line spikes during on/off cycling.

**FILTERS:** Multi-layer grid of sturdy, corrugated aluminum in an aluminum frame. May be reused after washing off accumulations and spraying with A-16 Recoating Adhesive.

**HEAVY-DUTY STEEL SHELL:** Precision-engineered heavy gauge steel construction of all shells and blowers insures Air Conditioners will stand up under tough applications.

**LOW TEMPERATURE CONTROL THERMOSTAT:** Thermostatic Low Temperature Control prevents over-cooling and provides energy-efficient operation.

**CONDENSER BLOWER SPEED CONTROLLER:** A thermostat temperature sensor installed in the refrigerant liquid line, controlling the condenser fan.

**INSULATION:** All cold components, lines and the evaporator compartment are insulated with high-performance insulation for maximum efficiency.

**GASKETING:** All units are fully gasketed for tight, leakproof installation, in compliance with the NEMA 3R Enclosure Rating.

**QUALITY ASSURANCE:** Refrigeration system components are kept sealed until charged with refrigerant; all brazed joints are thoroughly leak-tested; each unit is functionally tested before shipment.

**UL/CUL LISTED:** The **Profile Series DP50** is UL/CUL Listed.

## ACCESSORIES AND OPTIONS\*

**COOLING EFFECT DETECTOR:** A thermostat is mounted inside the cabinet and attached to a sensor in the warm air return. When the air temperature increases to the set point, a signal is sent to a terminal block. User-installed wiring from the terminal block to local and/or remote warning devices (*light, bell, siren, etc.*) can be for normally open or normally closed operation.

**ENCLOSURE HEATER:** 120V or 240V fin strip heater, installed singly or ganged, used to maintain desired internal enclosure temperature, under cold operating conditions.

**FILTER RECOATING ADHESIVE:** This compound is a superior product for recoating filters after washing. The adhesives penetrate dirt layers to keep the filter surface tacky for longer effective performance between washings.

**REPLACEMENT FILTER:** Filter consisting of a multi-layer grid of sturdy corrugated aluminum, securely held in a one-piece aluminum frame.

The DP50 filter Part No. 13658F (16.63" x 5.88" x 0.38" [346mm x 149mm x 9.7mm])

**STAINLESS STEEL SHELL:** For applications in corrosive or other hostile environments such as those requiring Internal Corrosion Resistant Coatings, especially where chemical/moisture combinations are present.

**Other voltages and frequencies\***

**Special materials or finishes\***

\*Contact KOOLTRONIC for more information.

## PERFORMANCE

