

TECHNICAL DATA

Model	Refrig.	UL/CUL Listed or Recognized	BTU/H Rating	95/95 Rating	Ambient Temp.				Volts	Hz	** Running Amps	Weight	
					°F		°C					lbs	kg
					Max.	Min.	Max.	Min.					
K2A3C18DP53L	R22	Listed	18000	16800	131	-20	55	-28	230	60/50	18.8	224	101.8

** Rating shown is for operation at maximum ambient temperature.

STANDARD FEATURES

- Closed-Loop Cooling
- Condenser Blower Controller
- EMI/RFI Suppressor
- Epoxy-Coated Condenser Coil
- Filter
- Heavy-duty Steel Shell
- Low-ODP Refrigerant
- Low Temperature Control Thermostat
- Mounts Externally
- NEMA 12 & 3R Ratings Maintained (UL50)
- Textured Baked Powder Finish
- UL/CUL Listed

ACCESSORIES AND OPTIONS

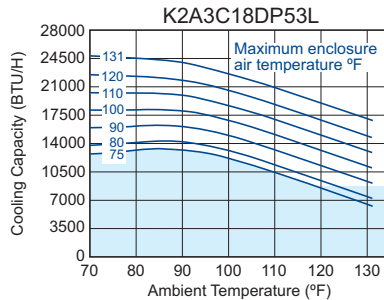
- Cooling Effect Detector
- Enclosure Heater
- Filter Recoating Adhesive
- Internal Corrosion Protection
- Lead-Lag Controller
- Other voltages and frequencies
- Remote Thermostat Relay
- Replacement Filters
- Special materials or finishes
- Stainless Steel Shell



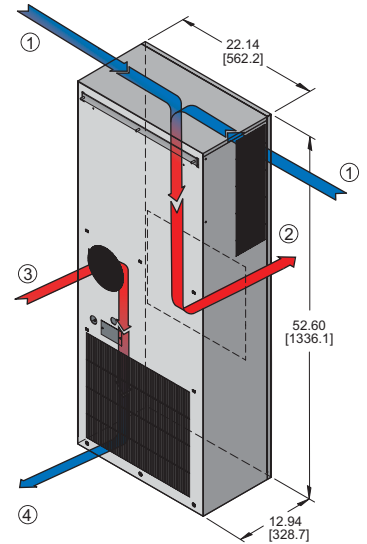
DISCONTINUED



PERFORMANCE

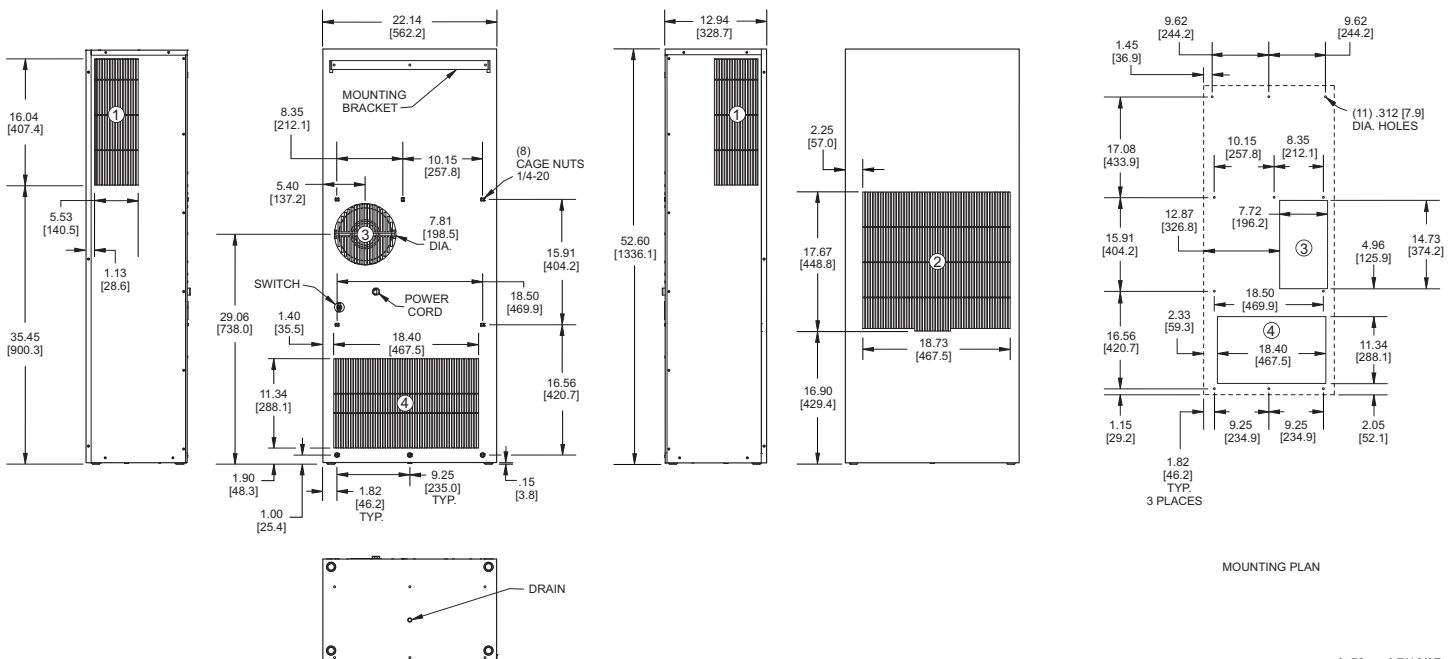


- ① CONDENSER AIR INLET (Ambient Air In)
- ② CONDENSER OUTLET (Warm Ambient Air Out)
- ③ WARM AIR RETURN FROM ENCLOSURE
- ④ COOL AIR OUTLET TO ENCLOSURE



DRAWINGS

Dimensions, inches [mm], are for reference only and are subject to change.



DESCRIPTION

The **Profile Series** Air Conditioners are designed specifically for cooling electronic enclosures and can be used for both indoor and outdoor applications. The features engineered into all of the **Profile Series** models make them a tamper-resistant choice for external applications. Combined with a NEMA 12 & 3R Rating, with all models UL/CUL Listed, the **Profile Series** is an excellent choice for telecommunications or other outdoor cabinet applications.

STANDARD FEATURES

CLOSED-LOOP COOLING: The enclosure interior airflow system is isolated from the ambient airflow system. Ambient air can not invade the cool, dehumidified sensitive component compartment.

MOUNTS EXTERNALLY: These **Profile Series** Air Conditioners have been engineered to be mounted outside of an enclosure. The **Profile Series** is the thinnest line of indoor/outdoor air conditioners Kooltronic has ever developed.

TEXTURED BAKED POWDER FINISH: Durable, baked-on textured beige powder finish is standard. Other finishes are available.

POWER: Available in 230 Volt, 60 Hz.

REFRIGERANT: Low-ODP R22 Refrigerant is used in the **Profile Series DP53** Air Conditioners.

EMI/RFI SUPPRESSOR: EMI/RFI Suppressor minimizes transient line spikes during on/off cycling.

FILTERS: Multi-layer grid of sturdy, corrugated aluminum in an aluminum frame. May be reused after washing off accumulations and spraying with A-16 Recoating Adhesive.

HEAVY-DUTY STEEL SHELL: Precision-engineered heavy gauge steel construction of all shells and blowers insures Air Conditioners will stand up under tough applications.

LOW TEMPERATURE CONTROL THERMOSTAT: Thermostatic Low Temperature Control prevents over-cooling and provides energy-efficient operation.

CONDENSER BLOWER SPEED CONTROLLER: A thermostat temperature sensor installed in the refrigerant liquid line, controlling the condenser fan.

INSULATION: All cold components, lines and the evaporator compartment are insulated with high-performance insulation for maximum efficiency.

GASKETING: All units are fully gasketed for tight, leakproof installation, in compliance with the NEMA 3R Enclosure Rating.

QUALITY ASSURANCE: Refrigeration system components are kept sealed until charged with refrigerant; all brazed joints are thoroughly leak-tested; each unit is functionally tested before shipment.

UL/CUL LISTED: The **Profile Series DP53** is UL/CUL Listed.

ACCESSORIES AND OPTIONS*

COOLING EFFECT DETECTOR: A thermostat is mounted inside the cabinet and attached to a sensor in the warm air return. When the air temperature increases to the set point, a signal is sent to a terminal block. User-installed wiring from the terminal block to local and/or remote warning devices (*light, bell, siren, etc.*) can be for normally open or normally closed operation.

ENCLOSURE HEATER: 120V or 240V fin strip heater, installed singly or ganged, used to maintain desired internal enclosure temperature, under cold operating conditions.

FILTER RECOATING ADHESIVE: This compound is a superior product for recoating filters after washing. The adhesives penetrate dirt layers to keep the filter surface tacky for longer effective performance between washings.

REPLACEMENT FILTER: Filter consisting of a multi-layer grid of sturdy corrugated aluminum, securely held in a one-piece aluminum frame.

The DP53 filter Part No. 6382F (6.38" x 16.88" x 0.38" [162mm x 428mm x 9.7mm])

STAINLESS STEEL SHELL: For applications in corrosive or other hostile environments such as those requiring Internal Corrosion Resistant Coatings, especially where chemical/moisture combinations are present.

Other voltages and frequencies*

Special materials or finishes*

*Contact KOOLTRONIC for more information.