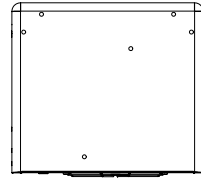


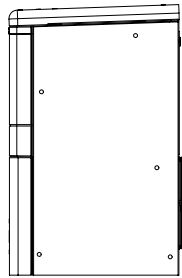
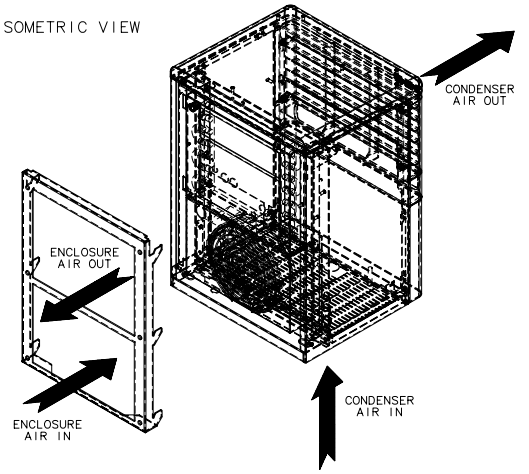
THIS DOCUMENT IS THE PROPERTY OF KOOLTRONIC, INC. AND CONTAINS PROPRIETARY AND CONFIDENTIAL INFORMATION WHICH MUST NOT BE DUPLICATED, USED OR DISCLOSED TO OTHERS, EXCEPT AS EXPRESSLY AUTHORIZED IN WRITING BY KOOLTRONIC, INC.

SYN		NOTICE		REVISIONS		DATE	APPROVED
				DESCRIPTION			RL
				PRELIMINARY DRAWING RELEASE		7/14/00	

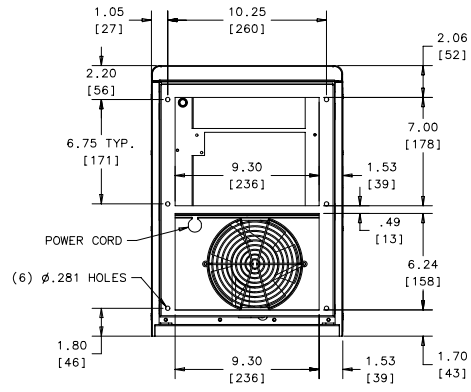


TOP VIEW

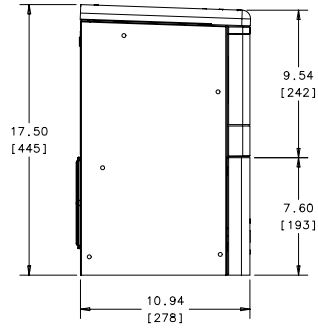
ISOMETRIC VIEW



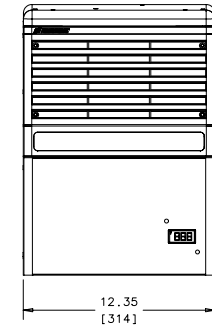
LEFT VIEW



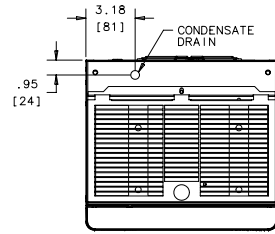
FRONT VIEW



RIGHT VIEW



REAR VIEW



BOTTOM VIEW

ALL DIMENSIONS ARE IN INCHES UNLESS OTHERWISE SPECIFIED		ALL DIMENSIONS DESIGNATED MM ARE IN MILLIMETERS.		DATE	
TOLERANCES UNLESS OTHERWISE SPECIFIED		TOLERANCES UNLESS OTHERWISE SPECIFIED		7/14/00	
TOL. IN	INCHES	±	MM	DRAWN	R. LIEDTKA
.XX	± .02	±		CHECKED	
.XXX	± .010	±		ENG.	
ANGULAR	± 1/2			MFG. ENG.	
MATERIAL					
UNIT	RP17R	APPROVED			



HOPEWELL, NJ VENTURA, CA USA

TITLE
GENERAL ARRANGEMENT
AIR CONDITIONER

DWG. NO. 200017-00-00
REV. -
SCALE: 25:1
CAD. REF.
SHEET 1 OF 1