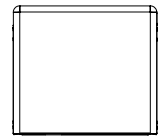
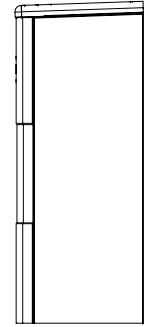
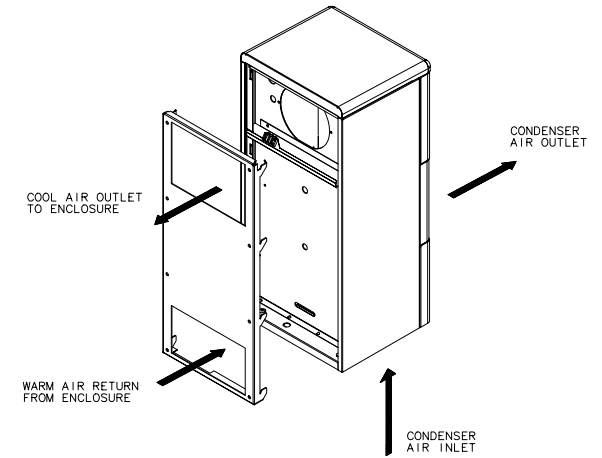


THIS DOCUMENT IS THE PROPERTY OF KOOLTRONIC, INC. AND CONTAINS PROPRIETARY AND CONFIDENTIAL INFORMATION WHICH MUST NOT BE DUPLICATED, USED OR DISCLOSED TO OTHERS, EXCEPT AS EXPRESSLY AUTHORIZED IN WRITING BY KOOLTRONIC, INC.

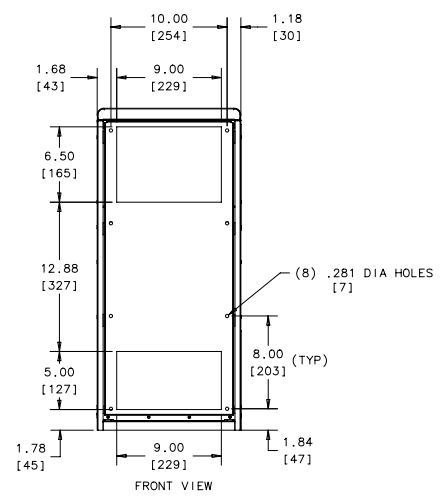
| SYN | | NOTICE | REVISIONS | | DATE | APPROVED |
|-----|----|--------|---------------------|--|--------|----------|
| | | | DESCRIPTION | | | |
| - | ER | 01/034 | NEW DRAWING RELEASE | | 4/5/01 | SDS |



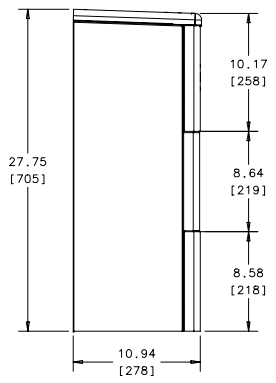
TOP VIEW



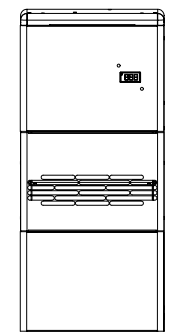
LEFT VIEW



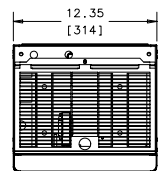
FRONT VIEW



RIGHT VIEW



REAR VIEW



BOTTOM VIEW

| DIMENSIONS ARE IN INCHES UNLESS OTHERWISE SPECIFIED | | | | UNLESS OTHERWISE SPECIFIED TOLERANCES ARE IN MILLIMETERS. | | DRAWN BY DATE | | HOPEWELL, NJ VENTURA, CA USA | | |
|---|--------|----|-----------|---|--------|-------------------------------------|------------|------------------------------|--------------|--------------|
| TOL. | IN | MM | CHECKED | STEVE S | 4/5/01 | TITLE | | | | |
| .XX | ± .02 | ± | ENG. | | | GENERAL ARRANGEMENT AIR CONDITIONER | | | | |
| .XXX | ± .010 | ± | MFG. ENG. | | | UNIT | | | | |
| ANGULAR | ± 1/2 | ° | | | | QTY | IDENT. NO. | SIZE | DWG. NO. | REV. |
| | | | | | | 1 | 06223 | D | 200028-01-00 | - |
| | | | | | | | SCALE | CAD. REF. | | SHEET 1 OF 1 |
| | | | | | | | 1/8"=1" | | | |

