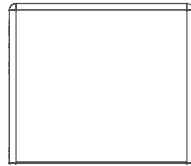


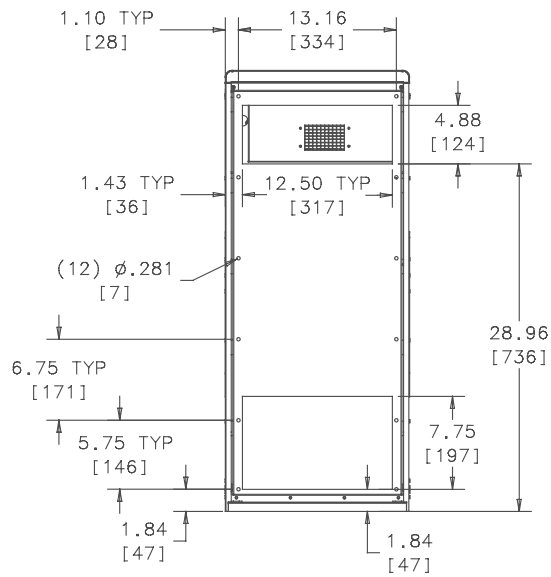
THIS DOCUMENT IS THE PROPERTY OF KOOLTRONIC, INC. AND CONTAINS PROPRIETARY AND CONFIDENTIAL INFORMATION WHICH MUST NOT BE DUPLICATED, USED OR DISCLOSED TO OTHERS, EXCEPT AS EXPRESSLY AUTHORIZED IN WRITING BY KOOLTRONIC, INC.

REVISIONS				
SYM	NOTICE	DESCRIPTION	DATE	APPROVED
-	EC 04/129	NEW DRAWING RELEASE	4/8/04	SDS

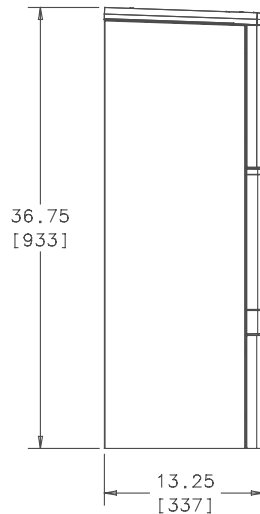
TOP VIEW



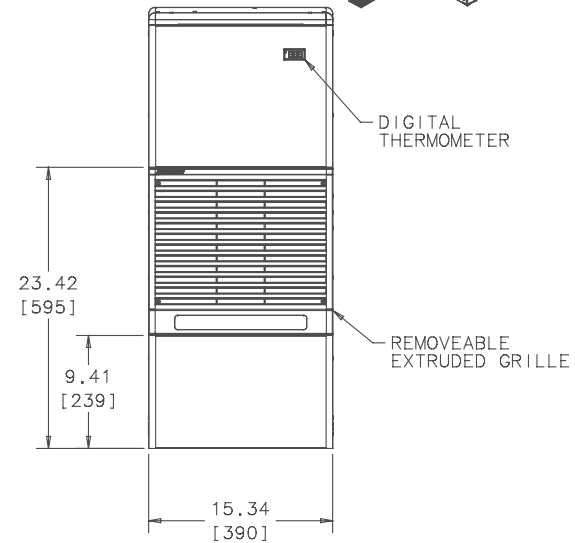
FRONT VIEW



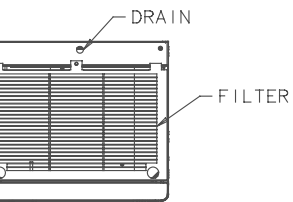
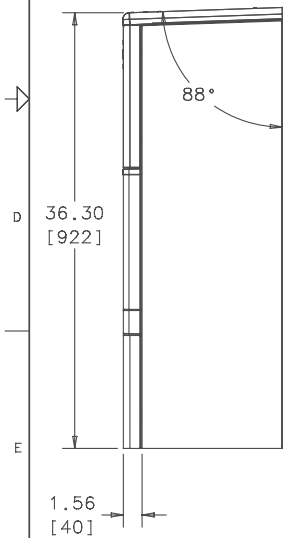
RIGHT VIEW



REAR VIEW

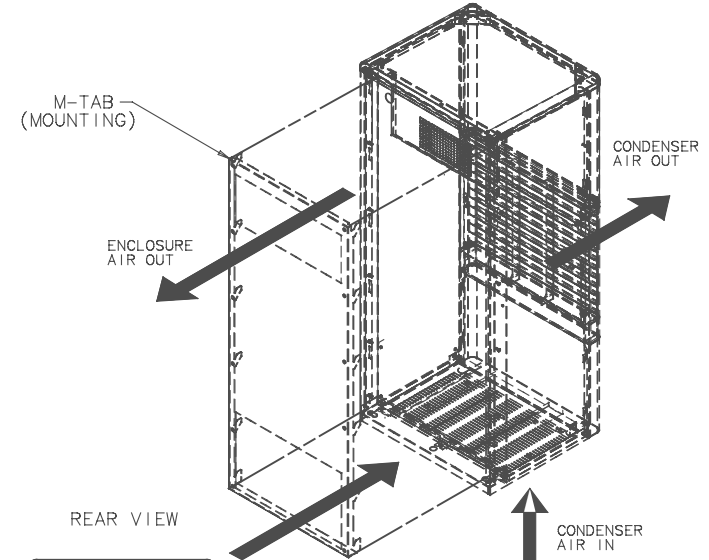


LEFT VIEW



BOTTOM VIEW

DIMENSIONS ARE IN INCHES (METRIC)



ISO VIEW

TOL. ON			INCHES	MM
.XX			± .02	±
.XXX			± .010	±
ANGULAR			± 1/2 °	
MATERIAL				
UNIT RP36R				

UNLESS OTHERWISE SPECIFIED TOLERANCES NON-ACCUMULATIVE		DATE	DRAWN	
		4/8/04	STEVE SCHMIERER	
			CHECKED	
			ENG.	
			MFG. ENG.	
			APPROVED	
CODE IDENT. NO.		SIZE	DWG. NO.	
06223		C	GA00357A	
SCALE 1/25 = 1		CAD. REF.		SHEET 1 OF 1



GENERAL ARRANGEMENT RP36R

HOPENELL, NJ VENTURA, CA USA	
TITLE	
GENERAL ARRANGEMENT RP36R	
REV	-