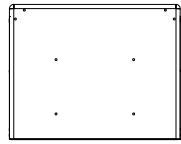
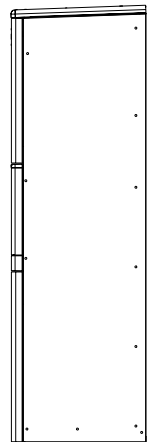


THIS DOCUMENT IS THE PROPERTY OF KOOLTRONIC, INC. AND CONTAINS PROPRIETARY AND CONFIDENTIAL INFORMATION WHICH MUST NOT BE DUPLICATED, USED OR DISCLOSED TO OTHERS, EXCEPT AS EXPRESSLY AUTHORIZED IN WRITING BY KOOLTRONIC, INC.

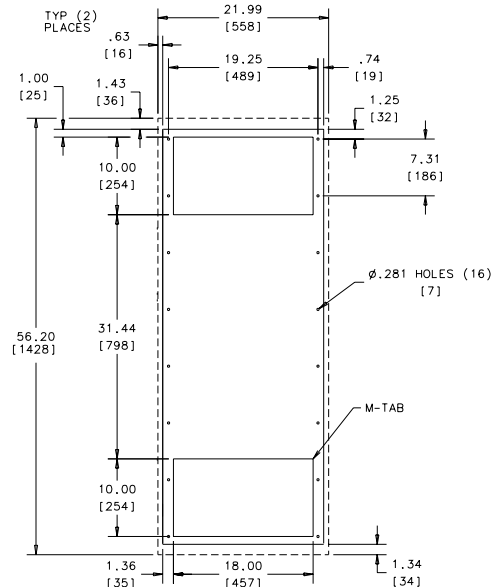
REV. NO.		REVISIONS	DATE	APPROVED
SW	NOTICE	DESCRIPTION		
B	ER 01/069	NEW DRAWING RELEASE	7/6/01	SDS



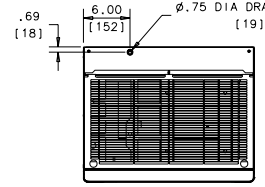
TOP VIEW



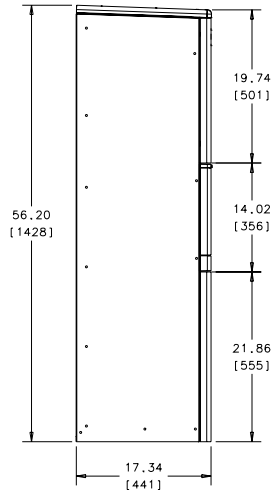
LEFT SIDE VIEW



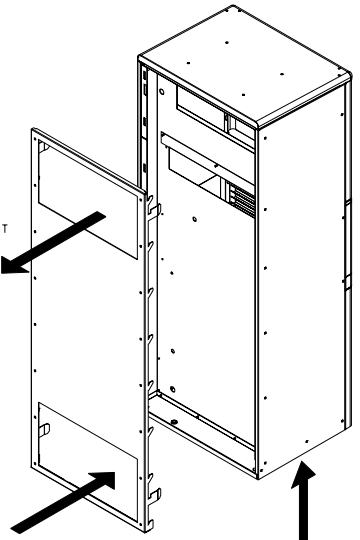
FRONT VIEW



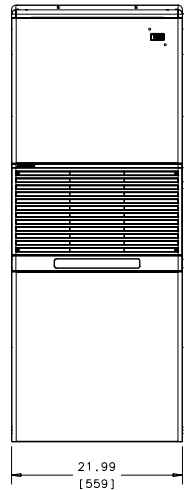
BOTTOM VIEW



RIGHT SIDE VIEW



CONDENSER AIR OUTLET



BACK VIEW

DIMENSIONS DESIGNATED IN INCHES				UNLESS OTHERWISE SPECIFIED		DIMENSIONS DESIGNATED IN MILLIMETERS	
IN.	INCHES	MM	DRIVEN	DATE	TITLE		
.XX	± .02	±	STEVE SCHMIDT	7/6/01	GENERAL ARRANGEMENT AIR CONDITIONER		
.XXX	± .010	±	JERRY STEDLICK	7/18/01	HOPEWELL, NJ VENTURA, CA USA		
ANGULAR	± 1/2 °		BORIS MUZIKANT	8/17/01			
MATERIAL			MFG. ENG.				
UNIT	K_A3C_RP55R		APPROVED	8/17/01	SEE TRN. NO. SIZE	ENG. NO.	REV
			BRUCE KREELEY		06223	D 200055-00-00	B
					SCALE 25=1	CAD. REF.	SHEET 1 OF 1

