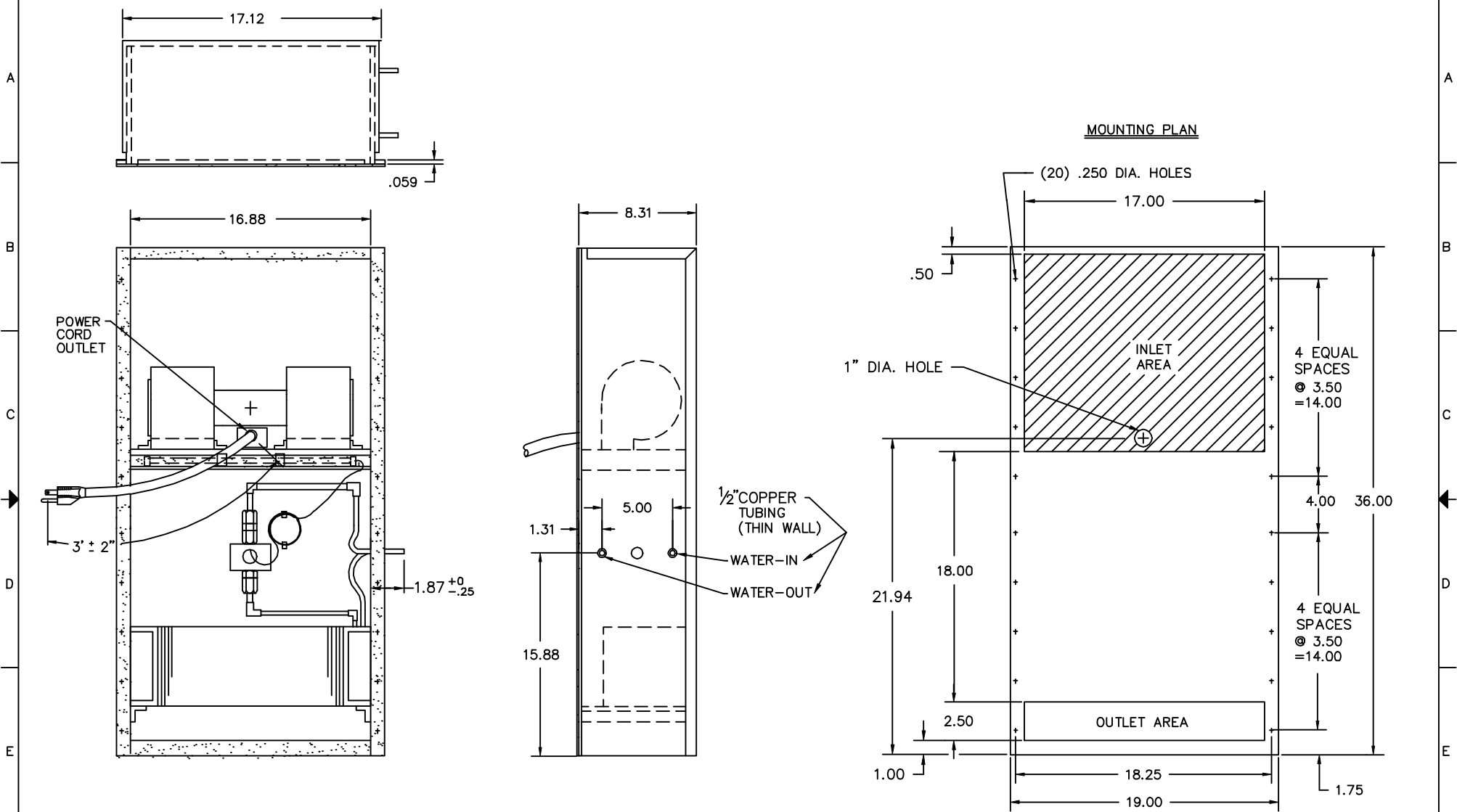


THIS DOCUMENT IS THE PROPERTY OF KOOLTRONIC, INC. AND CONTAINS PROPRIETARY AND CONFIDENTIAL INFORMATION WHICH MUST NOT BE DUPLICATED, USED OR DISCLOSED OTHER THAN AS EXPRESSLY AUTHORIZED BY KOOLTRONIC, INC.

REVISIONS				
SYM	NOTICE	DESCRIPTION	DATE	APPROVED
-	EC 87/159	NEW DRAWING RELEASE	10/29/87	JBW
A	EC 92/196	REMOVED HAND VALVE, DIM 1.87 ⁺⁰ _{-.25} WAS 2.0 MIN.	7/14/92	MJH



ALL DIMENSIONS ARE IN INCHES. DIMENSIONS DESIGNATED MM ARE IN MILLIMETERS.				 HOPEWELL, NJ VENTURA, CA USA			
UNLESS OTHERWISE SPECIFIED TOLERANCES NON-ACCUMULATIVE		DRAWN <i>M. J. H. H. H. H. H.</i>	DATE 7/14/92			TITLE GENERAL ARRANGEMENT HEAT EXCHANGER W/XX50 OPTION	
TOL. ON	INCHES	MM	CHECKED	JT 10/29/87			
.XX	± .02	±	ENG.	JC 10/29/87			
.XXX	± .010	±	MFG. ENG.				
ANGULAR	± 1/2°						
MATERIAL			MEM 10/29/87	CODE IDENT. NO. 06223	SIZE C	DWG. NO. 7045-XX50-00	REV A
UNIT	KPHE39-XX50		APPROVED MEM	SCALE 1/4=1	CAD. REF. GAO00049	SHEET 1 OF 1	