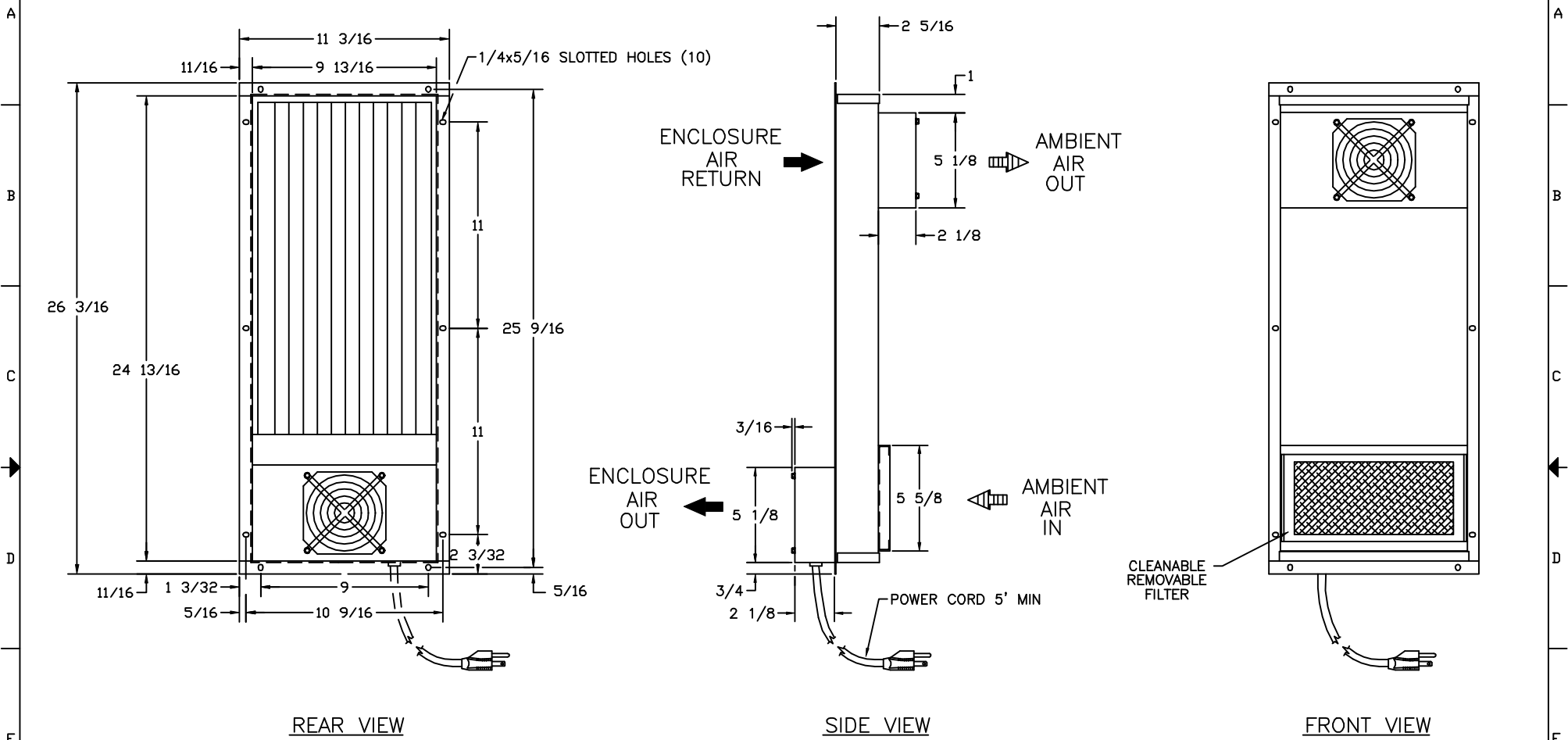


THIS DOCUMENT IS THE PROPERTY OF KOOLTRONIC, INC. AND CONTAINS PROPRIETARY AND CONFIDENTIAL INFORMATION WHICH MUST NOT BE DUPLICATED, USED OR DISCLOSED OTHER THAN AS EXPRESSLY AUTHORIZED BY KOOLTRONIC, INC.

REVISIONS				
SYM	NOTICE	DESCRIPTION	DATE	APPROVED
-	EC 92/228	PRELIMINARY DRAWING RELEASE	08/25/92	MJH
A	ER 92/223	DWG # WAS P9890-1	11/11/92	MJH



ALL DIMENSIONS ARE IN INCHES. DIMENSIONS DESIGNATED MM ARE IN MILLIMETERS.				 HOPEWELL, NJ VENTURA, CA USA	
UNLESS OTHERWISE SPECIFIED TOLERANCES NON-ACCUMULATIVE		DRAWN <i>M. J. H.</i> DATE 08/25/92			
TOL. ON	INCHES	MM	CHECKED	TITLE <b>GENERAL ARRANGEMENT          HEAT EXCHANGER          SINGLE FAN</b>	
.XX	± .02	±	ENG.		
.XXX	± .010	±	MFG. ENG.		
ANGULAR	± 1/2°				
MATERIAL			APPROVED	CODE IDENT. NO. 06223	SIZE C
UNIT KXHE224S				DWG. NO. 8070-00-00	REV A
				SCALE 1/4=1	CAD. REF. GA000060
				SHEET 1 OF 1	