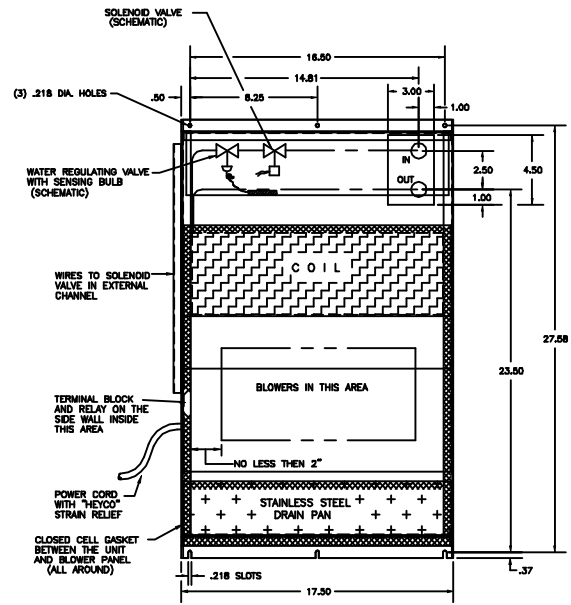
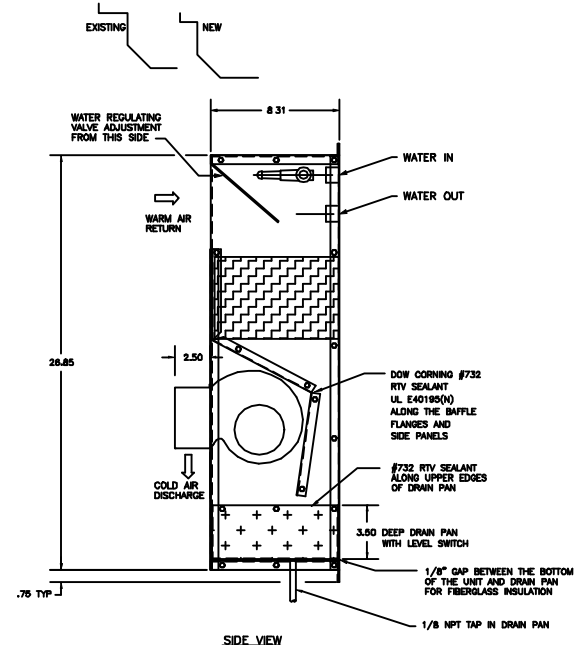


THIS DOCUMENT IS THE PROPERTY OF KOOLTRONIC, INC. AND CONTAINS PROPRIETARY AND CONFIDENTIAL INFORMATION WHICH MUST NOT BE DUPLICATED, USED OR DISCLOSED OTHER THAN AS EXPRESSLY AUTHORIZED BY KOOLTRONIC, INC.

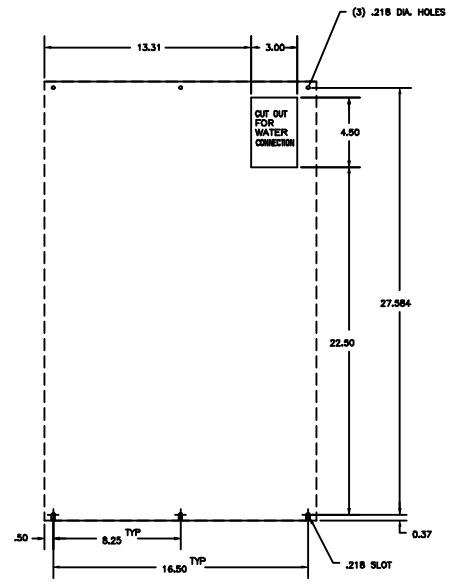
REVISIONS				
SYM	NOTICE	DESCRIPTION	DATE	APPROVED
-		RELEASE FOR CUSTOMER	09/28/92	JML/
A	BR 92/163	REVISED DRAWING, DRG. NO. 7047 P2777	12/26/92	MMH



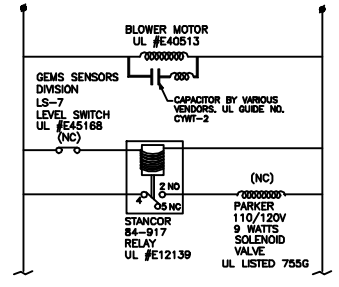
FRONT VIEW WITH BLOWER PANEL REMOVED



SIDE VIEW



MOUNTING PLAN



WIRING DIAGRAM
CIRCUITS WITH POWER OFF

ALL DIMENSIONS ARE IN INCHES. DIMENSIONS DENOTED IN PARENS IN MILLIMETERS.				KOOLOTRONIC, INC.	
TOL. ON	INCHES	MM	CHECKED	DATE	TITLE
	± .01	± .25	Joe Melish	09/01/92	GENERAL ARRANGEMENT
	± .010	± .25	L. YEVZIKOV	09/01/92	HEAT EXCHANGER
	± 1/2"				
MATERIAL			CORE IDENT. NO. 06223		
UNIT KPHE39-33			D 7047-33-00		
APPROVED G. ROSENKRANS			SCALE 3/8"=1"		
			SHEET 1 OF 1		