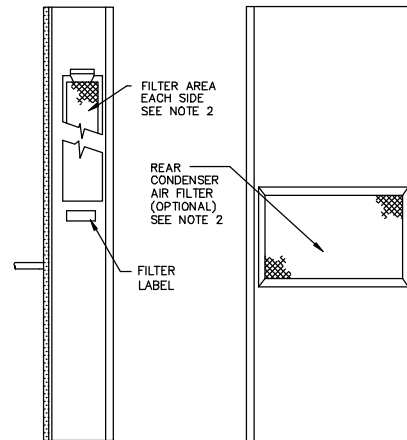
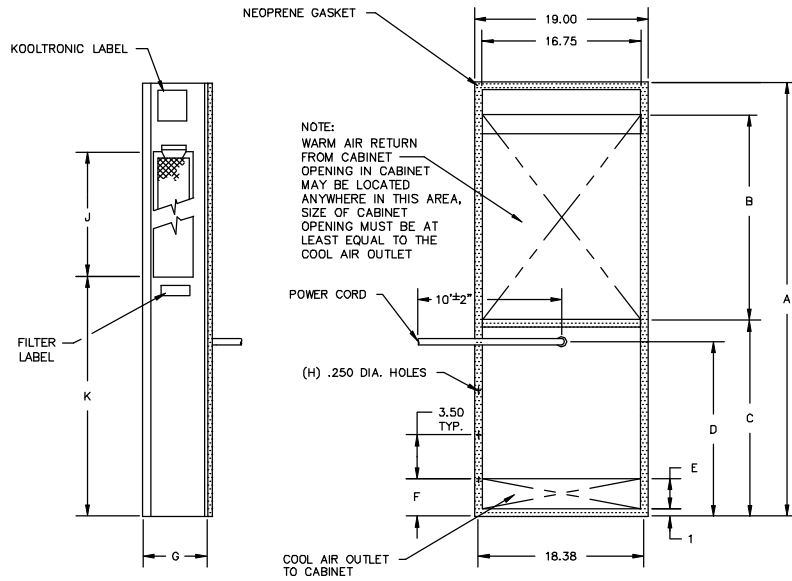
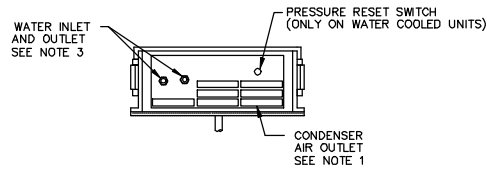


THIS DOCUMENT IS THE PROPERTY OF KOOLTRONIC, INC. AND CONTAINS PROPRIETARY AND CONFIDENTIAL INFORMATION WHICH MUST NOT BE DUPLICATED, USED OR DISCLOSED TO OTHERS, EXCEPT AS EXPRESSLY AUTHORIZED IN WRITING BY KOOLTRONIC, INC.

REVISIONS				
SYM	NOTICE	DESCRIPTION	DATE	APPROVED
E	EC 87/100	REDRAWN AND RELEASED	4/8/87	MHI
F	EC 94/177	RELOCATED WATER INLET/OUTLET, & ADDED PRESSURE RESET SWITCH UPDATED DIMENSIONAL DATA IN COLUMNS 1" - 7" X"	7/28/94	MHI

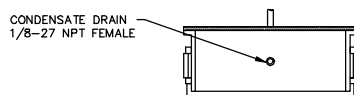
NOTE:

- CONDENSER AIR OUTLET NOT REQ'D FOR WATER COOLED UNITS.
- THE TWO SIDE AIR FILTERS ARE REPLACED WITH COVER PLATES FOR WATER COOLED UNITS AND UNITS WITH OPTIONAL REAR CONDENSER AIR FILTER.
- 3/8"-18 NPT MALE FITTINGS FOR WATER INLET AND OUTLET ARE PROVIDED ON THE TOP PLATE ON THE LEFT SIDE OF THE WATER COOLED UNITS.



AIR COOLED DIMENSIONAL DATA										
UNITS	A	B	C	D	E	F	G	H	J	K
KAC & K2AC 4,5,6, & 7S P47	47.25	24.94	18.25	15.00	2.00	2.63	7.94	14	17.25	23.75
KAC & K2AC 4,5,6, & 7S P52	52.44	24.94	23.44	15.00	2.00	1.75	7.94	16	17.25	29.50
KAC & K2AC 4,5,6, & 7S P59	59.50	24.94	30.60	15.00	2.00	1.75	7.94	18	17.25	36.50
KAC & K2AC 7D,8,9,10, & 12 P52	52.44	27.94	19.25	16.00	3.00	1.75	8.75	16	17.25	25.38
KAC & K2AC 7D,8,9,10, & 12 P59	59.50	27.94	26.31	16.00	3.00	1.75	8.75	18	17.25	32.50
K2AC 14, & 16 P59	59.50	34.69	19.88	16.63	3.63	1.75	12.50	18	17.25	17.81

WATER COOLED DIMENSIONAL DATA									
UNITS	A	B	C	D	E	F	G	H	
KAC & K2AC 4,5,6, & 7S WP47	47.25	24.94	18.25	15.00	2.00	2.63	7.94	14	
KAC & K2AC 4,5,6, & 7S WP52	52.44	24.94	23.44	15.00	2.00	1.75	7.94	16	
KAC & K2AC 4,5,6, & 7S WP59	59.50	24.94	30.50	15.00	2.00	1.75	7.94	18	
KAC & K2AC 7D,8,9,10, & 12 WP52	52.44	27.94	19.25	16.00	3.00	1.75	8.75	16	
KAC & K2AC 7D,8,9,10, & 12 WP59	59.50	27.94	26.31	16.00	3.00	1.75	8.75	18	



ALL DIMENSIONS ARE IN INCHES. DIMENSIONS DESIGNATED WITH AN IN MILLIMETERS.				DATE 4-8-87	
UNLESS OTHERWISE SPECIFIED TOLERANCES NON-ACCUMULATIVE.				DRAWN JW	
TOL. ON	INCHES	MM	CHECKED	DATE	
.XX	± .02	±	JW	4-10-87	
.XXX	± .010	±	JC	4-10-87	
ANGULAR	± 1/2°		DWG. ENGR.		
MATERIAL	MEM		APPROVED	DATE	SIZE
SEE CHART	C.F.S.		4-10-87	06223	D
KOLTRONIC, INC. MILPITAS, CA 95032			TITLE GENERAL ARRANGEMENT AIR CONDITIONER		
UNIT	APPROVED	DATE	CODE IDENT. NO.	SIZE	DWG. NO.
SEE CHART	C.F.S.	4-10-87	06223	D	6005-00-00
			SCALE	DWG. REF.	SHEET
			1:200=1	6000001	1 OF 1