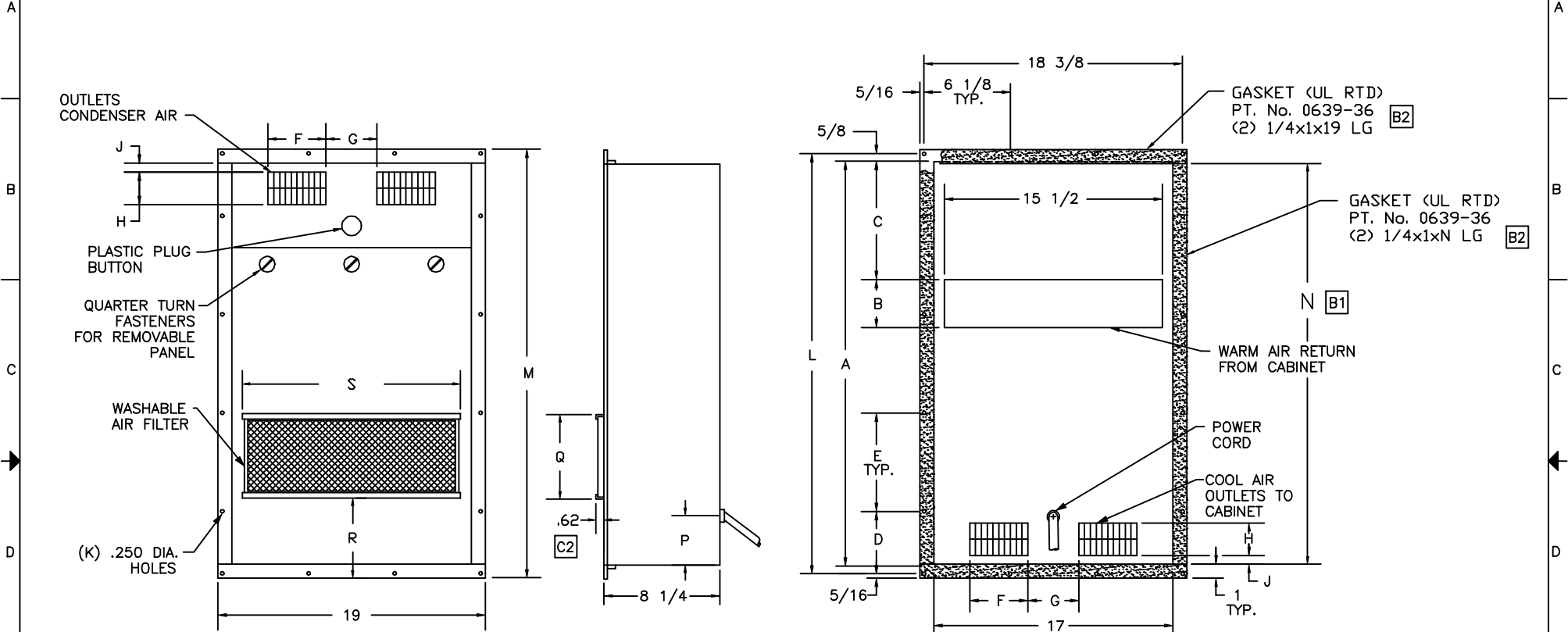


THIS DOCUMENT IS THE PROPERTY OF KOOLTRONIC, INC. AND CONTAINS PROPRIETARY AND CONFIDENTIAL INFORMATION WHICH MUST NOT BE DUPLICATED, USED OR DISCLOSED OTHER THAN AS EXPRESSLY AUTHORIZED BY KOOLTRONIC, INC.

REVISIONS				
SYM	NOTICE	DESCRIPTION	DATE	APPROVED
-	EC 92/33	NEW DRAWING RELEASE	2/11/92	JBW
A	EC 93/290	UPDATED DIM. CHART, ADDED DIM "L & M" OBSOLETE DWG B 8050-00-00 REV -	11/23/93	MJH
B	EC 97/161	B1 ADD DIM "N" TO FIELD OF DWG & CHART AT BOTTOM OF DWG B2 ADD NOTES ON NEW GASKETING PT. No. 0639-36 (UL RTD)	8/22/97	JMB/JT
C	EC 98/52	C1 ADDED ADDITIONAL DIMENSIONAL DATA (P,Q,R,S) FOR KXHE125B AND K2XHE125B . C2 ADDED DIMENSION OF .62	3/19/98	JS



NOTES: 1.) DIMENSIONS DO NOT INCLUDE SCREW HEADS - ADD 1/8" PER SCREW

MODEL	A	B	C	D	E	F	G	H	J	K	L	M	N	P	Q	R	S																	
KXHE365B	59	5/8	8	11/16	12	11/16	2	7/16	3	1/2	3	1/2	4	7/8	3	1/4	1	42	60	7/8	61	1/2	59	1/2										
K2XHE365B	59	5/8	8	11/16	12	11/16	2	7/16	3	1/2	3	1/2	4	7/8	3	1/4	1	42	60	7/8	61	1/2	59	1/2										
KXHE245B	47	3/8	5	5/16	12	9/16	3	5/16	3	1/2	4	1/16	3	5/8	2	5/16	5/8	34	48	5/8	49	1/4	47	1/4										
K2XHE245B	47	3/8	5	5/16	12	9/16	3	5/16	3	1/2	4	1/16	3	5/8	2	5/16	5/8	34	48	5/8	49	1/4	47	1/4										
KXHE125B	28	5/8	3	7/16	8	7/8	4	7/16	7	4	1/16	3	5/8	2	5/16	5/8	16	29	7/8	30	1/2	28	1/2	3	1/2	6	5	11/16	15	1/2				
K2XHE125B	28	5/8	3	7/16	8	7/8	4	7/16	7	4	1/16	3	5/8	2	5/16	5/8	16	29	7/8	30	1/2	28	1/2	3	1/2	6	5	11/16	15	1/2				

DIMENSIONAL DATA

TOL. ON			INCHES	MM
.XX			± .02	±
.XXX			± .010	±
ANGULAR			± 1/2°	

ALL DIMENSIONS ARE IN INCHES. DIMENSIONS DESIGNATED MM ARE IN MILLIMETERS. UNLESS OTHERWISE SPECIFIED TOLERANCES NON-ACCUMULATIVE.

DRAWN: JOE WELSH DATE: 08/11/98  
 CHECKED: JT DATE: 08/24/98  
 ENG: JC DATE: 08/24/98  
 MFG. ENG.

APPROVED: G. ROSENKRANS DATE: 08/24/98

**KOOLTRONIC, INC.**  
 HOPEWELL, NJ VENTURA, CA USA

TITLE: GENERAL ARRANGEMENT HEAT EXCHANGER

CODE IDENT. NO. 06223 SIZE C DWG. NO. 8050-00-00 REV C  
 SCALE 3/16=1 CAD. REF. GA000117 SHEET 1 OF 1