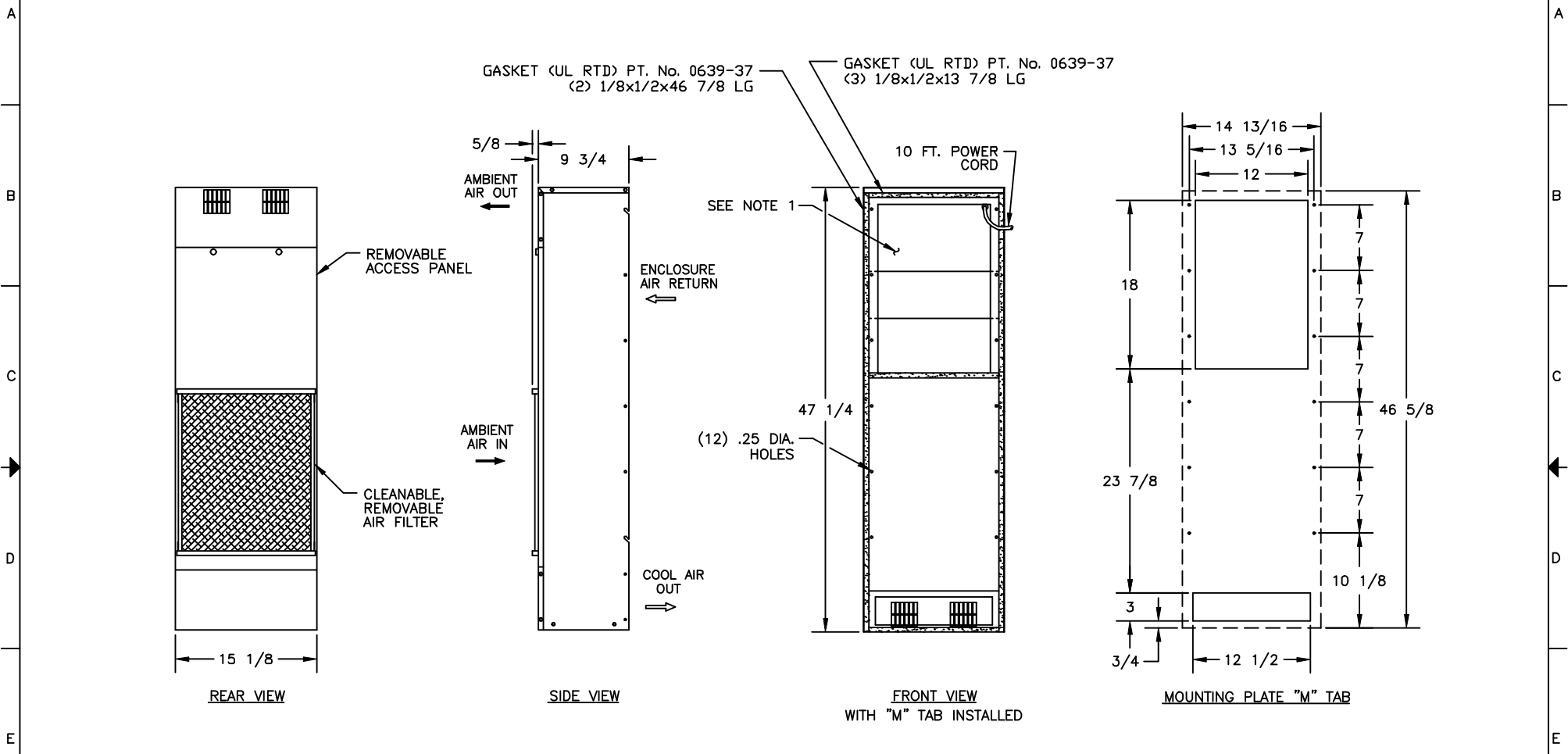


THIS DOCUMENT IS THE PROPERTY OF KOOLTRONIC, INC. AND CONTAINS PROPRIETARY AND CONFIDENTIAL INFORMATION WHICH MUST NOT BE DUPLICATED, USED OR DISCLOSED OTHER THAN AS EXPRESSLY AUTHORIZED BY KOOLTRONIC, INC.

REVISIONS				
SYM	NOTICE	DESCRIPTION	DATE	APPROVED
-	ER 94/20	NEW DRAWING RELEASE	2/1/94	RDG
A	EC 97/161	ADD NOTES ON NEW GASKETING; PT. No. 0639-37 (UL RTD)	8/22/97	JMB/JT



NOTES:

- 1) RETURN AIR SLOT MAY BE LOCATED ANYWHERE WITHIN THIS OPENING
- 2) HEAT EXCHANGER ELEMENT MAY BE REMOVED FOR CLEANING

ALL DIMENSIONS ARE IN INCHES. DIMENSIONS DESIGNATED MM ARE IN MILLIMETERS.				 HOPEWELL, NJ VENTURA, CA USA	
UNLESS OTHERWISE SPECIFIED TOLERANCES NON-ACCUMULATIVE		DRAWN Rob George	DATE 2/1/94		
TOL. ON	INCHES	MM	CHECKED	CODE IDENT. NO. 06223 SCALE 1/8=1	
.XX	± .02	±	ENG.		
.XXX	± .010	±	MFG. ENG.	REV A	
ANGULAR		± 1/2°		CAD. REF. GA000121	SHEET 1 OF 1
MATERIAL			APPROVED		
UNIT	KXNP47, K2XNP47				