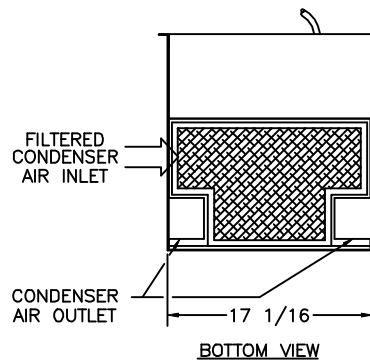
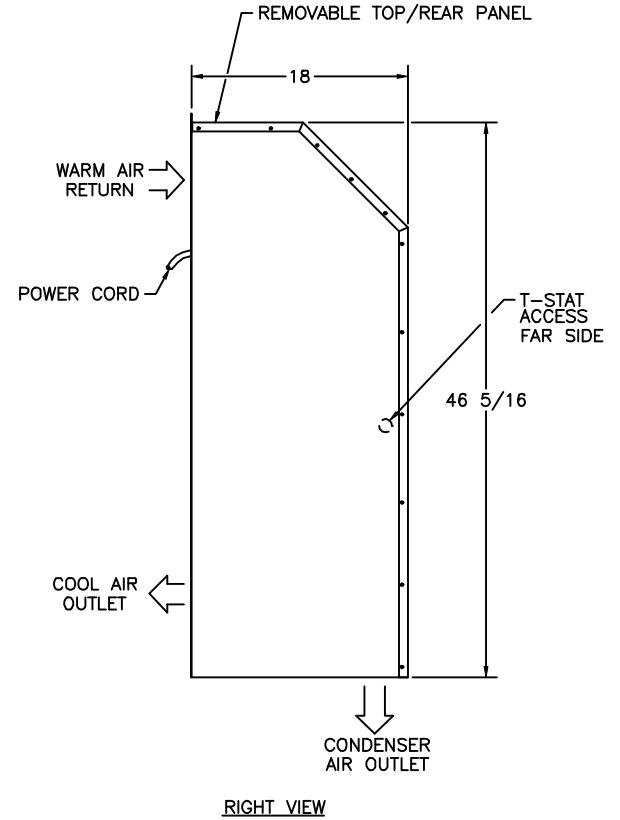
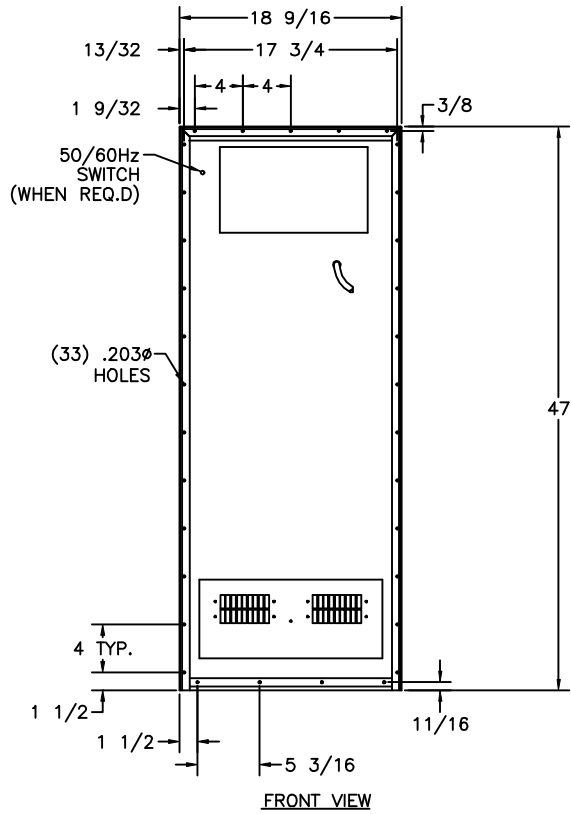
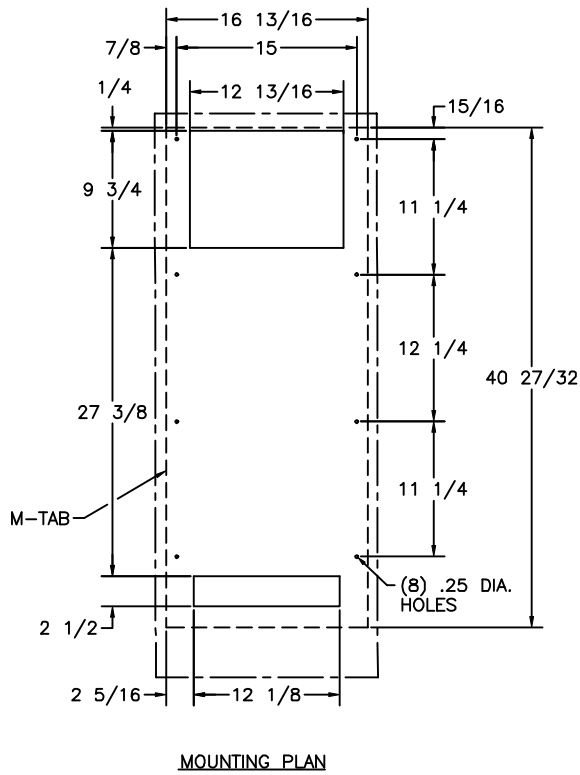


THIS DOCUMENT IS THE PROPERTY OF KOOLTRONIC, INC. AND CONTAINS PROPRIETARY AND CONFIDENTIAL INFORMATION WHICH MUST NOT BE DUPLICATED, USED OR DISCLOSED OTHER THAN AS EXPRESSLY AUTHORIZED BY KOOLTRONIC, INC.

REVISIONS				
SYM	NOTICE	DESCRIPTION	DATE	APPROVED
-	ER 94/271	NEW DRAWING RELEASE	7/13/94	MJM

A  
B  
C  
D  
E  
F

A  
B  
C  
D  
E  
F



ALL DIMENSIONS ARE IN INCHES. DIMENSIONS DESIGNATED MM ARE IN MILLIMETERS.			
UNLESS OTHERWISE SPECIFIED TOLERANCES NON-ACCUMULATIVE		DRAWN <i>M. J. H.</i>	DATE 7/13/94
TOL. ON	INCHES	MM	CHECKED
.XX	± .02	±	ENG.
.XXX	± .010	±	MFG. ENG.
ANGULAR	± 1/2°		
MATERIAL			
UNIT KNA4C_P47			
APPROVED			



TITLE GENERAL ARRANGEMENT NEMA4 AIR CONDITIONER			
CODE IDENT. NO. 06223	SIZE C	DWG. NO. 604547-00-00	REV -
SCALE 1/8"=1"	CAD. REF. GA000142	SHEET 1 OF 1	

1 2 3 4 5 6 7 8