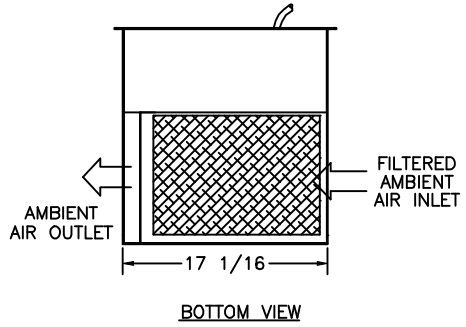
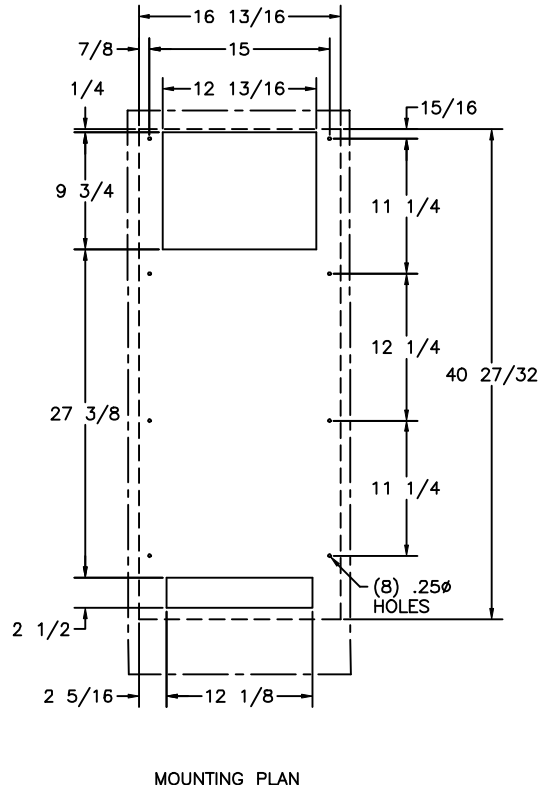
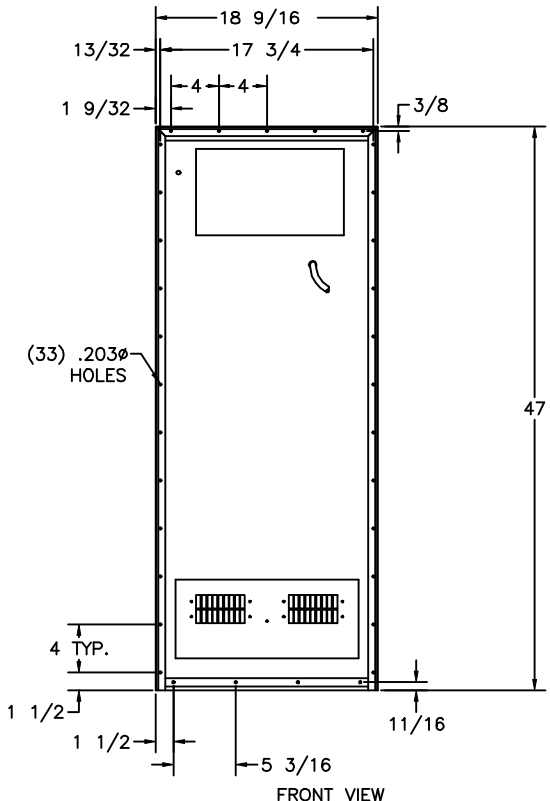
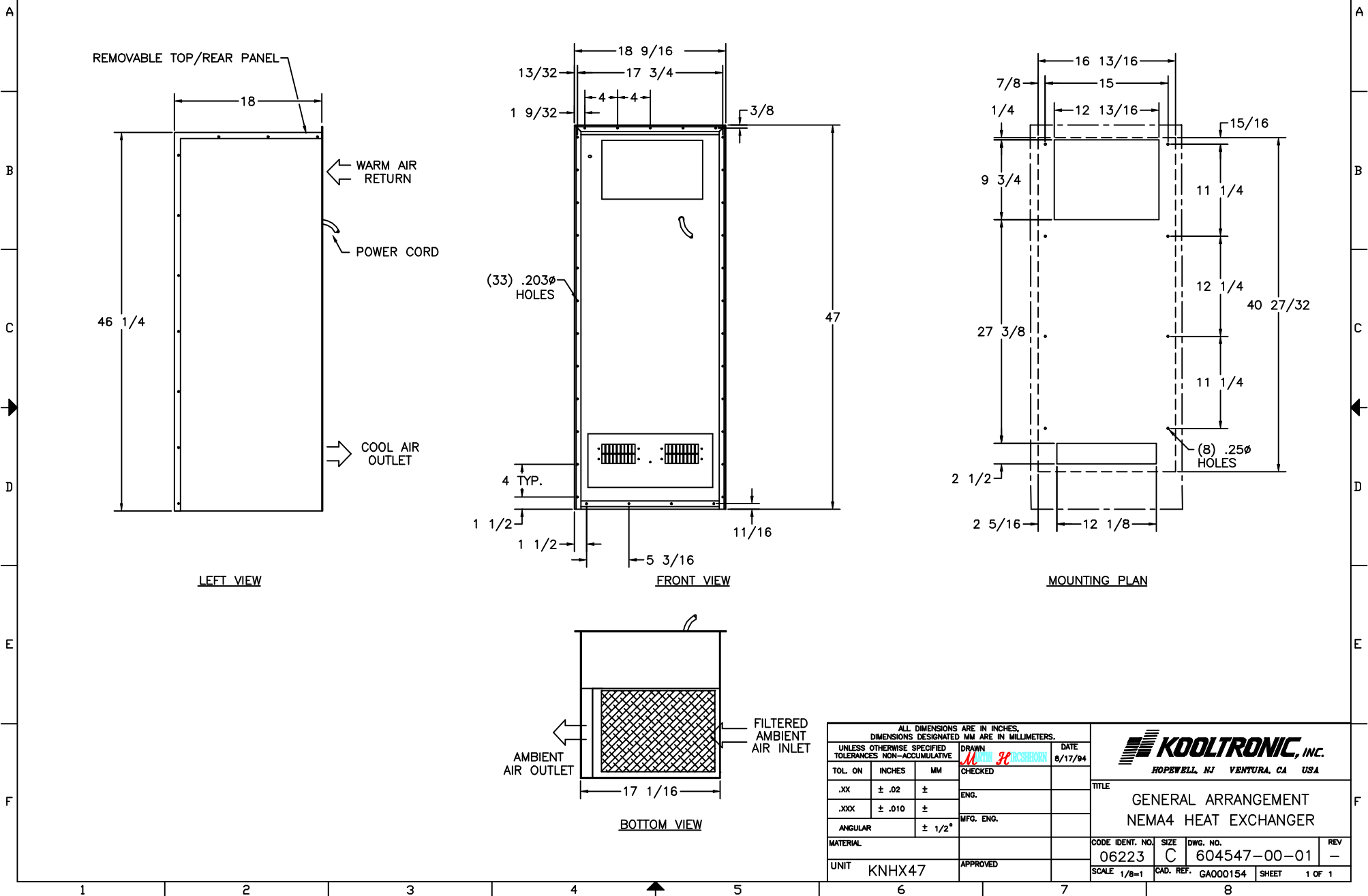


THIS DOCUMENT IS THE PROPERTY OF KOOLTRONIC, INC. AND CONTAINS PROPRIETARY AND CONFIDENTIAL INFORMATION WHICH MUST NOT BE DUPLICATED, USED OR DISCLOSED OTHER THAN AS EXPRESSLY AUTHORIZED BY KOOLTRONIC, INC.

REVISIONS				
SYM	NOTICE	DESCRIPTION	DATE	APPROVED
-	ER 94/223	NEW DRAWING RELEASE	8/17/94	MJH



ALL DIMENSIONS ARE IN INCHES. DIMENSIONS DESIGNATED MM ARE IN MILLIMETERS.

UNLESS OTHERWISE SPECIFIED TOLERANCES NON-ACCUMULATIVE			DRAWN <i>M. J. H.</i>	DATE 8/17/94
TOL. ON	INCHES	MM	CHECKED	
.XX	± .02	±	ENG.	
.XXX	± .010	±	MFG. ENG.	
ANGULAR	± 1/2°			
MATERIAL				
UNIT	KNHX47		APPROVED	

KOOLTRONIC, INC.
HOPEWELL, NJ VENTURA, CA USA

TITLE
**GENERAL ARRANGEMENT
NEMA4 HEAT EXCHANGER**

CODE IDENT. NO. 06223	SIZE C	DWG. NO. 604547-00-01	REV -
SCALE 1/8=1	CAD. REF. GA000154	SHEET 1 OF 1	