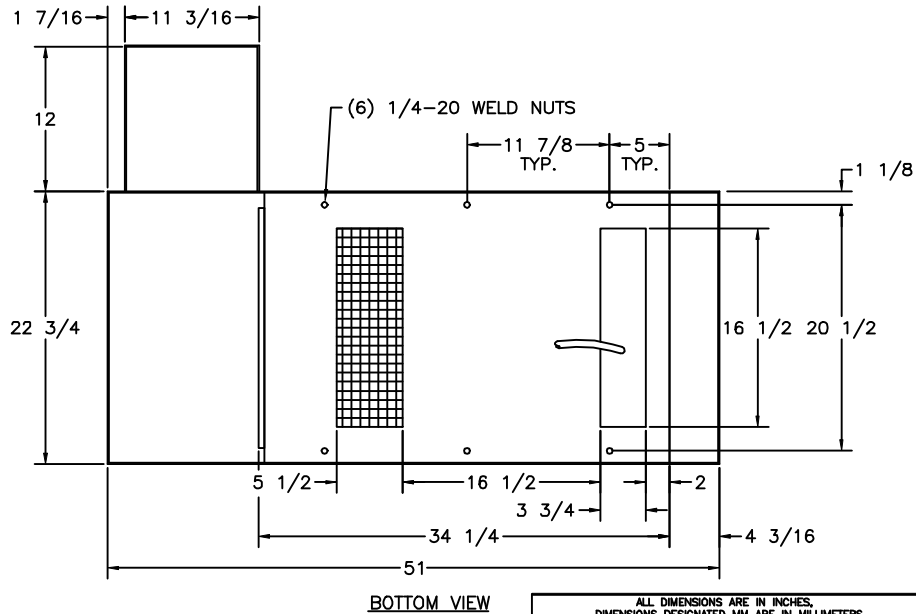
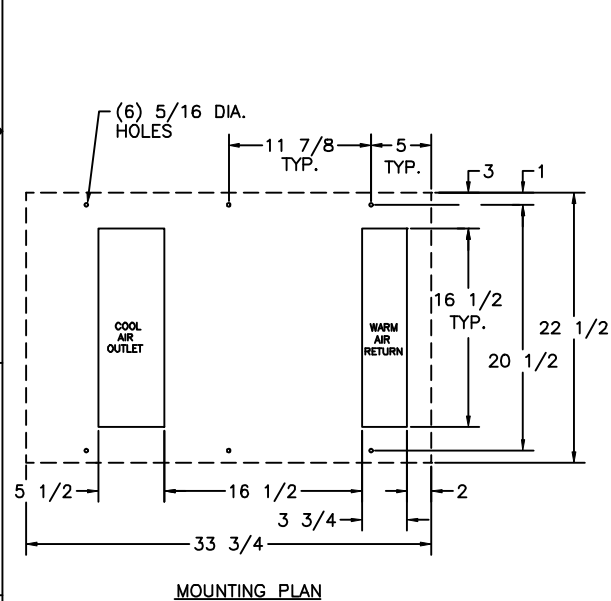
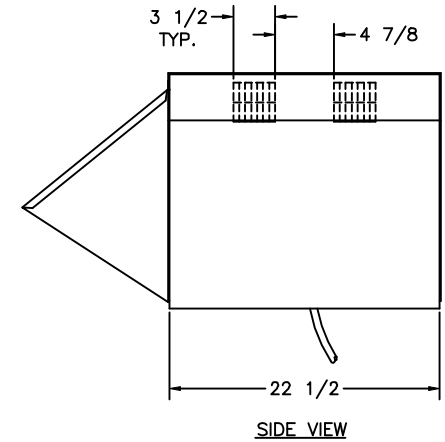
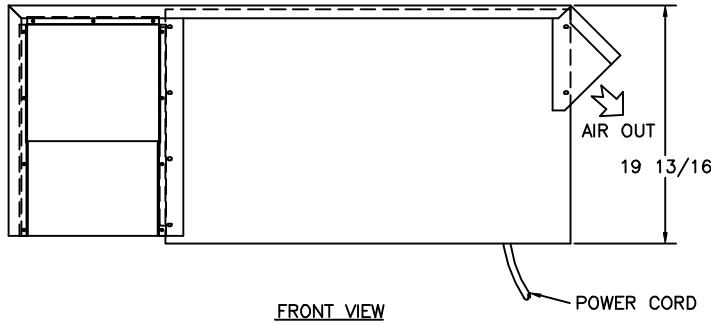
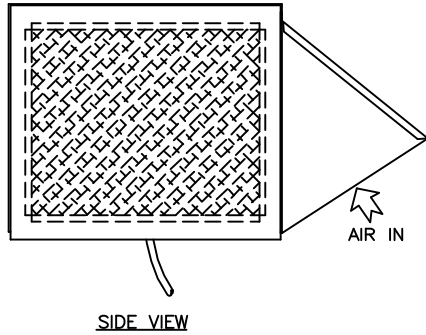


THIS DOCUMENT IS THE PROPERTY OF KOOLTRONIC, INC. AND CONTAINS PROPRIETARY AND CONFIDENTIAL INFORMATION WHICH MUST NOT BE DUPLICATED, USED OR DISCLOSED TO OTHERS, EXCEPT AS EXPRESSLY AUTHORIZED IN WRITING BY KOOLTRONIC, INC.

REVISIONS				
SYM	NOTICE	DESCRIPTION	DATE	APPROVED
-	ER 95/129	NEW DRAWING RELEASE	05/31/95	MJM



TOL. ON			UNLESS OTHERWISE SPECIFIED TOLERANCES NON-ACCUMULATIVE		DRAWN	DATE
.XX	± .02	±	INCHES	MM	MJM	05/31/95
.XXX	± .010	±			CHECKED	
ANGULAR		± 1/2°			ENG.	
MATERIAL					MFG. ENG.	
UNIT					APPROVED	
K2AC16HTT-4						

KOOLTRONIC, INC.
HOPEWELL, NJ VENTURA, CA USA

TITLE			
GENERAL ARRANGEMENT AIR CONDITIONER			
CODE IDENT. NO.	SIZE	DWG. NO.	REV
06223	C	8045-04-00	-
SCALE	CAD. REF.	SHEET	1 OF 1
1/8=1	GA000167		