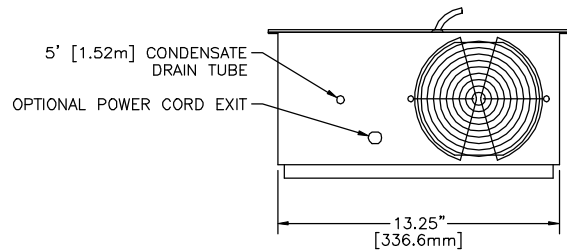
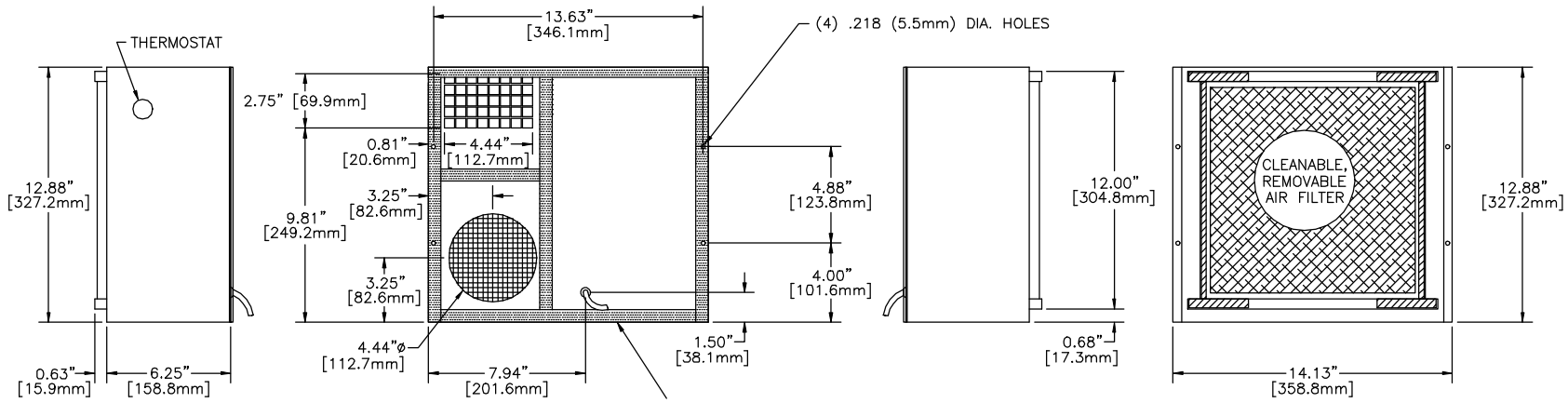
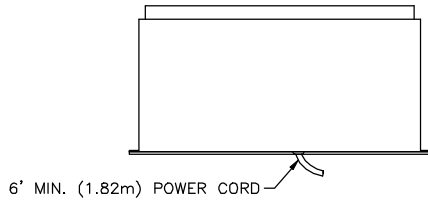
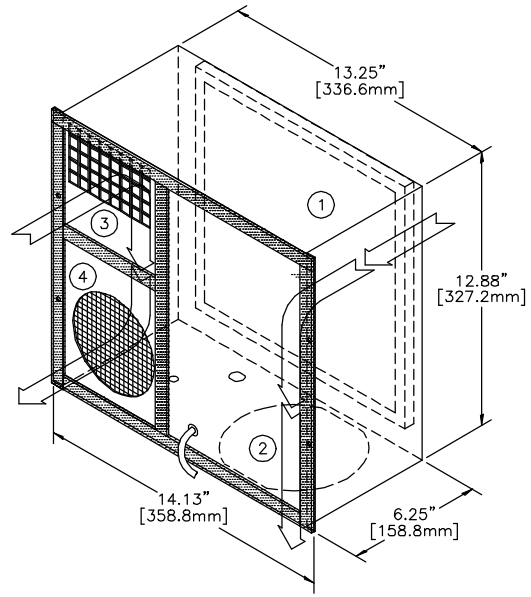


- ① CONDENSER INLET (AMBIENT AIR IN)
- ② CONDENSER OUTLET (WARM AMBIENT AIR OUT)
- ③ WARM AIR RETURN FROM ELECTRONICS
- ④ COOL AIR OUTLET TO ELECTRONICS



KOOLTRONIC
COOLING EXCELLENCE FOR ELECTRONICS

30 PENNINGTON-HOPWELL ROAD, P.O. BOX 240
PENNINGTON, NEW JERSEY 08534-0240
TEL: 609-466-3400 FAX: 609-466-1114

KA4C...MML
MICRO-MINI
AIR CONDITIONER

7/26/95 Bryon Zuber GA000173 A

THIS DOCUMENT IS PROPERTY OF KOOLTRONIC, INC. AND CONTAINS PROPRIETARY AND CONFIDENTIAL INFORMATION WHICH MUST NOT BE DUPLICATED, USED OR DISCLOSED OTHER THAN AS EXPRESSLY AUTHORIZED BY KOOLTRONIC, INC.