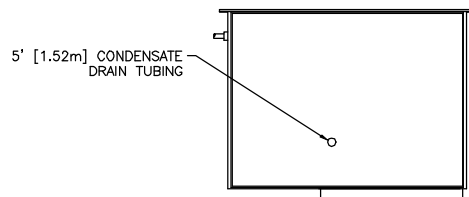
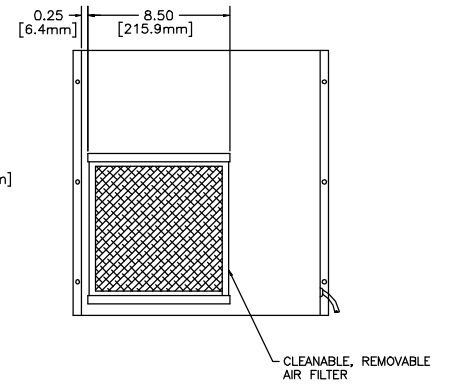
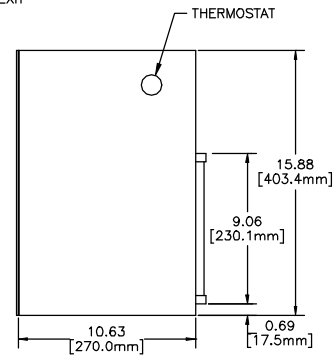
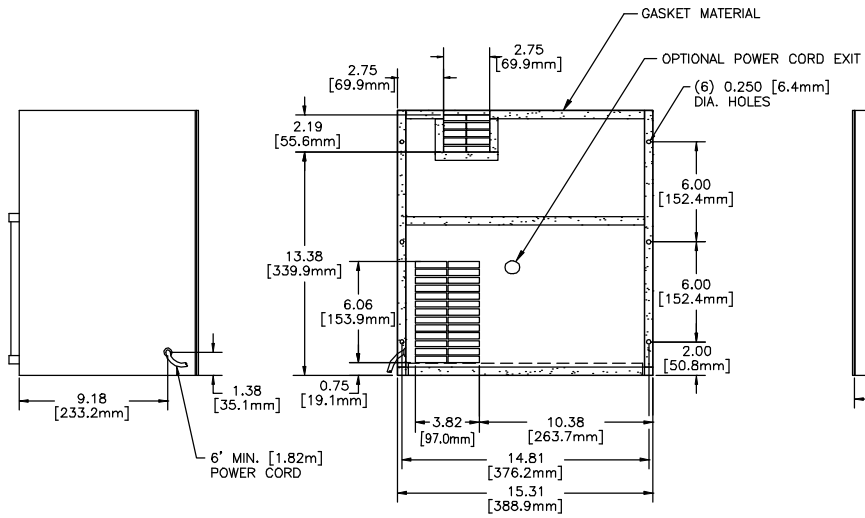
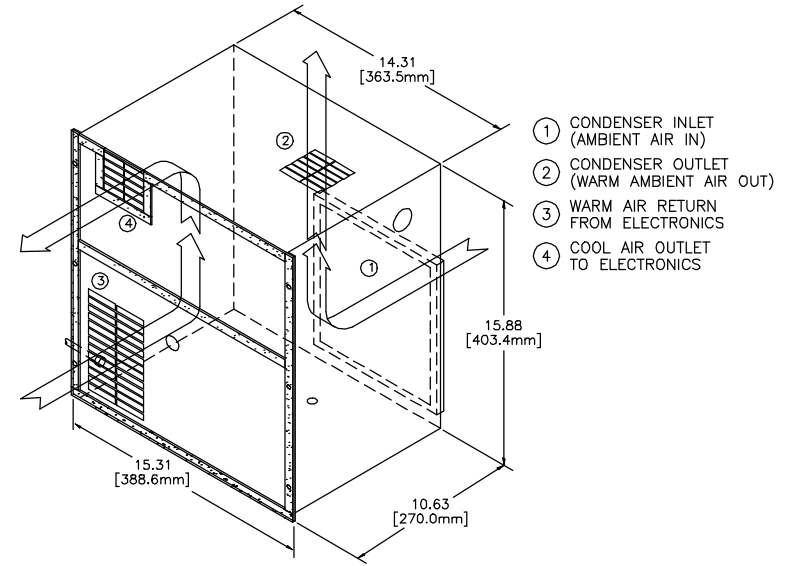
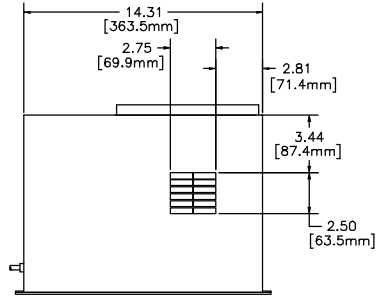
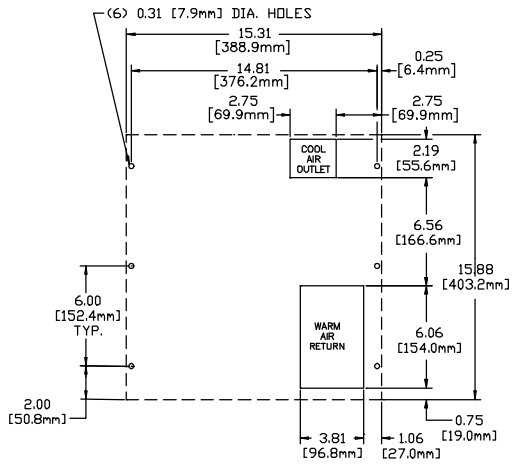


MOUNTING PLAN



DIMENSIONS ARE FOR REFERENCE ONLY AND SUBJECT TO CHANGE.



57 HAMILTON AVE., P.O. BOX 300
 HOPEWELL, NEW JERSEY 08520-0300
 TEL: 609-466-3400 FAX: 609-466-1114

KA4C..._SML
 SUPER-MINI
 LINE3

DATE	BY	NAME	DWG	REV.

THIS DOCUMENT IS PROPERTY OF KOOLTRONIC, INC. AND CONTAINS PROPRIETARY AND CONFIDENTIAL INFORMATION WHICH MUST NOT BE DUPLICATED, USED OR DISCLOSED OTHER THAN AS EXPRESSLY AUTHORIZED BY KOOLTRONIC, INC.