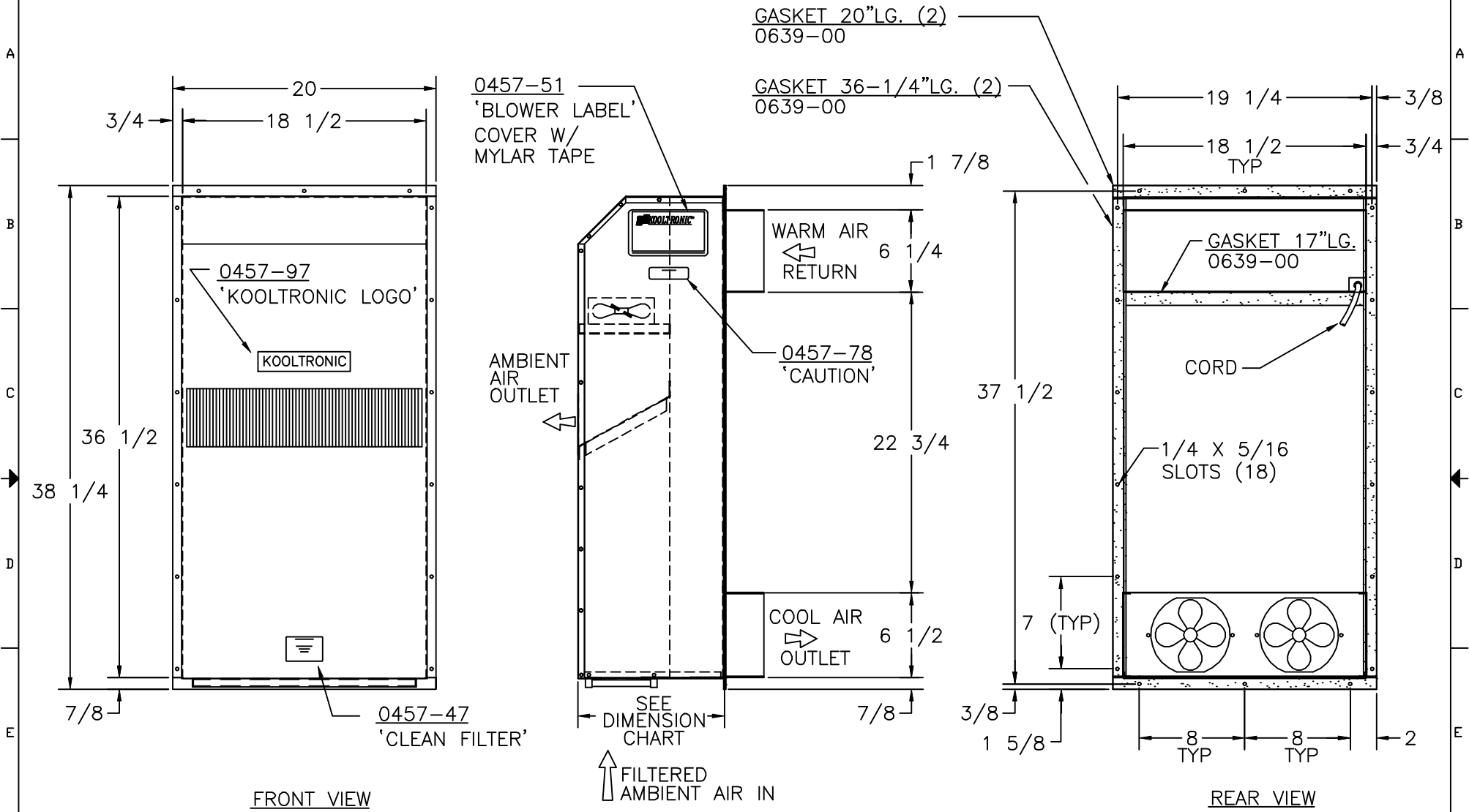


THIS DOCUMENT IS THE PROPERTY OF KOOLTRONIC, INC. AND CONTAINS PROPRIETARY AND CONFIDENTIAL INFORMATION WHICH MUST NOT BE DUPLICATED, USED OR DISCLOSED OTHER THAN AS EXPRESSLY AUTHORIZED BY KOOLTRONIC, INC.

REVISIONS				
SYM	NOTICE	DESCRIPTION	DATE	APPROVED
-	ER 95/211	NEW DRAWING RELEASE	9/19/95	TLR



DIMENSION CHART	
UNIT	DIMENSION
KXHE236D-1	9 1/8"
KXHE436D-1	11 1/8"

ALL DIMENSIONS ARE IN INCHES. DIMENSIONS DESIGNATED MM ARE IN MILLIMETERS.				 HOPEWELL, NJ VENTURA, CA USA	
UNLESS OTHERWISE SPECIFIED TOLERANCES NON-ACCUMULATIVE		DRAWN <i>Tracy Reynolds</i>	DATE 9/19/95		
TOL. ON	INCHES	MM	CHECKED B.F.	9/19/95	TITLE <b>GENERAL ARRANGEMENT          HEAT EXCHANGER          DOUBLE FAN</b>
.XX	± .02	±	ENG. B.M.	9/19/95	
.XXX	± .010	±	MFG. ENG.		
ANGULAR		± 1/2°			
MATERIAL					
UNIT KXHE236D-1 KXHE436D-1			APPROVED B.K.K.	9/19/95	CODE IDENT. NO. 06223 SIZE C DWG. NO. 8073-01-01 SCALE 3/16=1 CAD. REF. GA000189 SHEET 1 OF 1