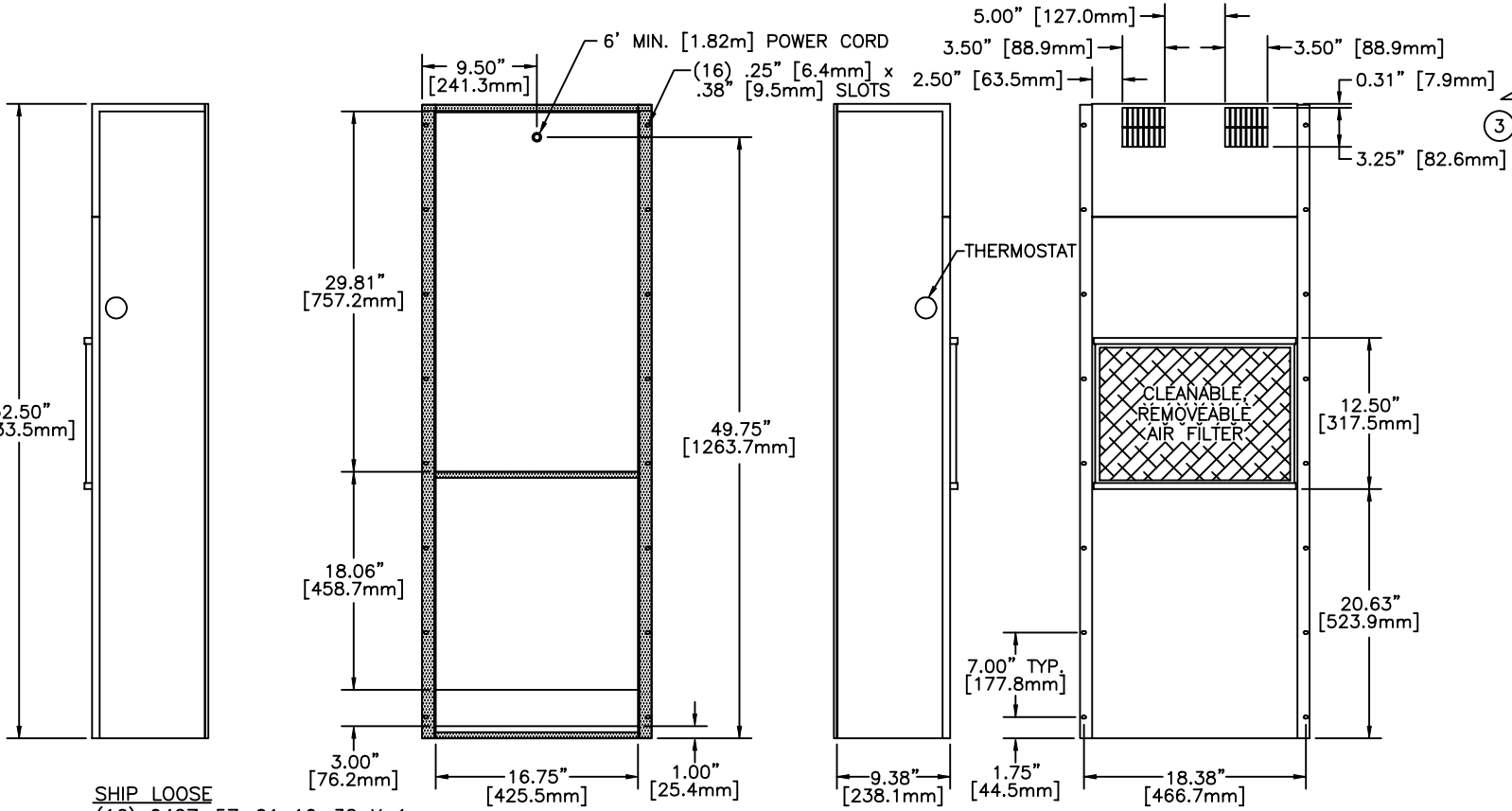
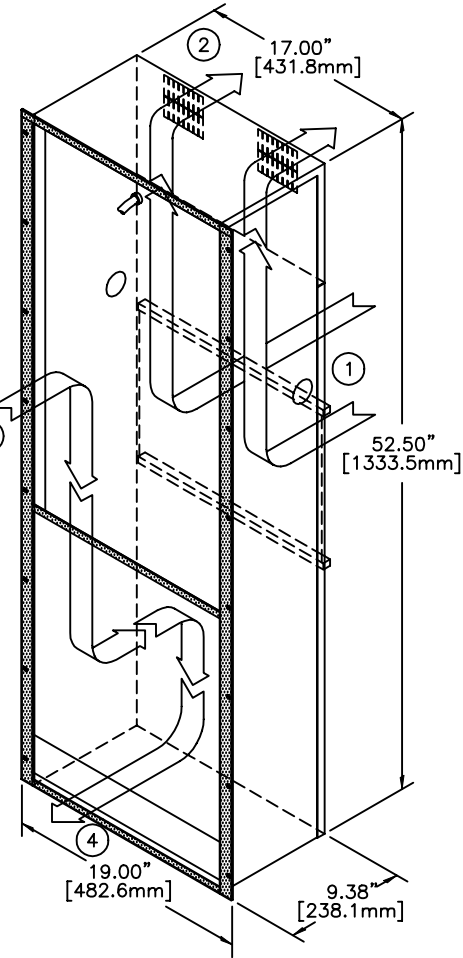
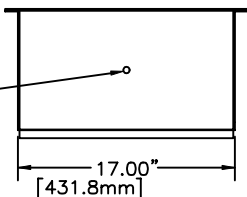


- ① CONDENSER INLET (AMBIENT AIR IN)
- ② CONDENSER OUTLET (WARM AMBIENT AIR OUT)
- ③ WARM AIR RETURN FROM ELECTRONICS
- ④ COOL AIR OUTLET TO ELECTRONICS



- SHIP LOOSE
- (16) 0427-57-01 10-32 X 1 WASHER/SCREW ASSY
  - (16) 0407-04 10-32 KEP NUTS
  - (1) KCD4/6A DRAIN KIT

5' [1.52m] CONDENSATE DRAIN TUBE, 1/8 NPT



DIMENSIONS ARE FOR REFERENCE ONLY AND SUBJECT TO CHANGE.



57 HAMILTON AVE., P.O. BOX 300  
 HOPENELL, NEW JERSEY 08526-0300  
 TEL: 609-466-3400 FAX: 609-466-1114

KA4C\_P52R  
 PANEL MOUNT  
 AIR CONDITIONER