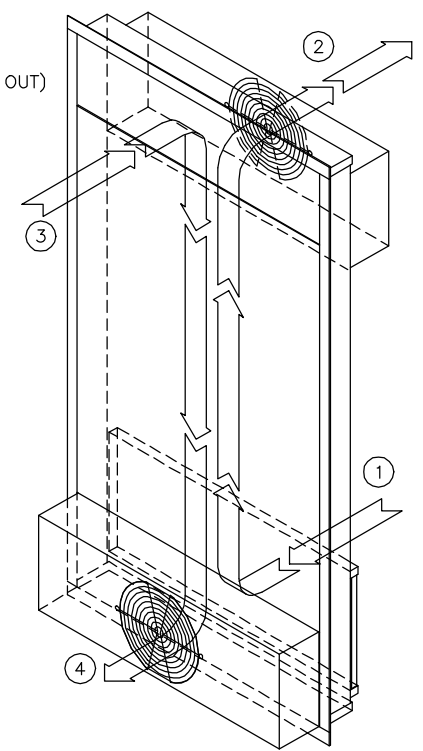



- ① CONDENSER INLET (AMBIENT AIR IN)
- ② CONDENSER OUTLET (WARM AMBIENT AIR OUT)
- ③ WARM AIR RETURN FROM ELECTRONICS
- ④ COOL AIR OUTLET TO ELECTRONICS



DIMENSIONS ARE FOR REFERENCE ONLY AND SUBJECT TO CHANGE.

 <b>KOOLTRONIC</b> COOLING EXCELLENCE FOR ELECTRONICS			
57 HAMILTON AVE., P.O. BOX 300 HOPEWELL, NEW JERSEY 08525-0300 TEL: 609-466-3400 FAX: 609-466-1114			
<b>KXHE236S</b> <b>AIR TO AIR</b> <b>HEAT EXCHANGER</b>			
10/17/95	Bryan Zuber	GA000193	-
<small>THIS DOCUMENT IS PROPERTY OF KOOLTRONIC, INC. AND CONTAINS PROPRIETARY AND CONFIDENTIAL INFORMATION WHICH MUST NOT BE DUPLICATED, USED OR DISCLOSED OTHER THAN AS EXPRESSLY AUTHORIZED BY KOOLTRONIC, INC.</small>			