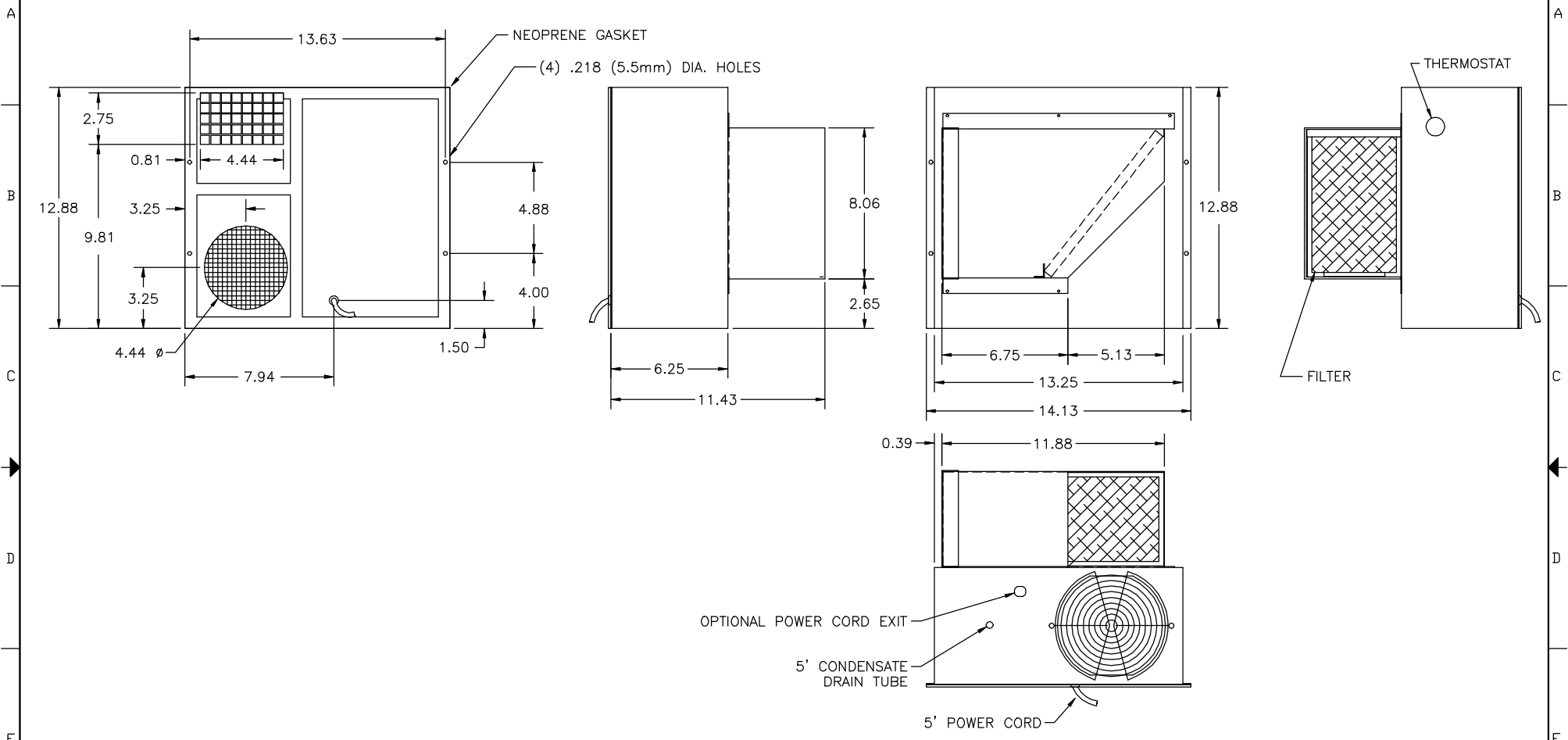


THIS DOCUMENT IS THE PROPERTY OF KOOLTRONIC, INC. AND CONTAINS PROPRIETARY AND CONFIDENTIAL INFORMATION WHICH MUST NOT BE DUPLICATED, USED OR DISCLOSED TO OTHERS, EXCEPT AS EXPRESSLY AUTHORIZED IN WRITING BY KOOLTRONIC, INC.

REVISIONS				
SYM	NOTICE	DESCRIPTION	DATE	APPROVED
-	EC 95/277	NEW DRAWING RELEASE	11/21/95	TLR



UNLESS OTHERWISE SPECIFIED TOLERANCES NON-ACCUMULATIVE			DRAWN	DATE
TOL. ON	INCHES	MM	<i>Tracey Reynolds</i>	11/21/95
.XX	± .02	±	CHECKED	
.XXX	± .010	±	ENG.	
ANGULAR		± 1/2°	MFG. ENG.	
MATERIAL			APPROVED	
UNIT				

KOOLTRONIC, INC.
HOPEWELL, NJ VENTURA, CA USA

TITLE
**GENERAL ARRANGEMENT
MICRO-MINI W/ INLET AIR SHIELD**

CODE IDENT. NO.	SIZE	DWG. NO.	REV
06223	A	8000-XX52-00	-
SCALE .250=1	CAD. REF.	GA000200	SHEET 1 OF 1