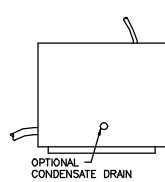
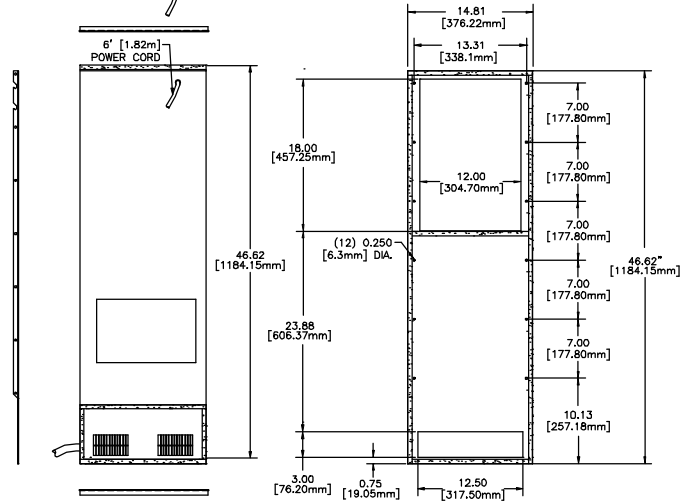
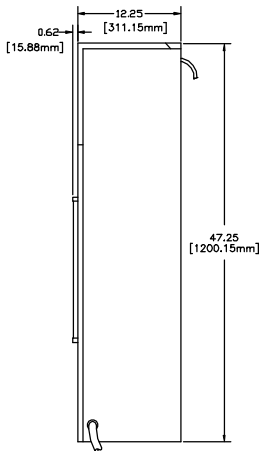
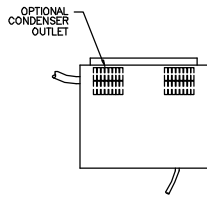
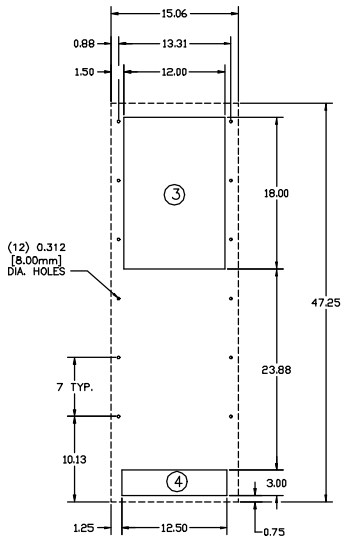
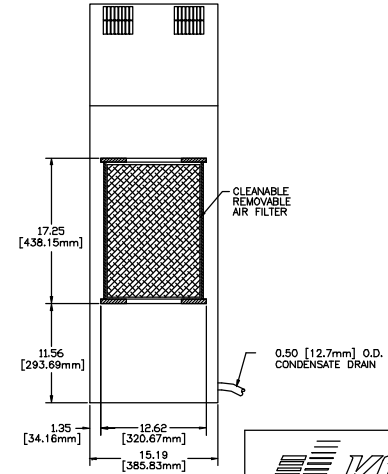
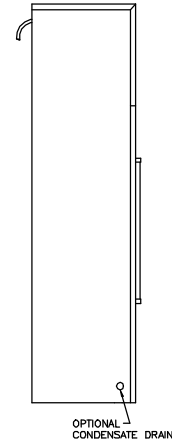
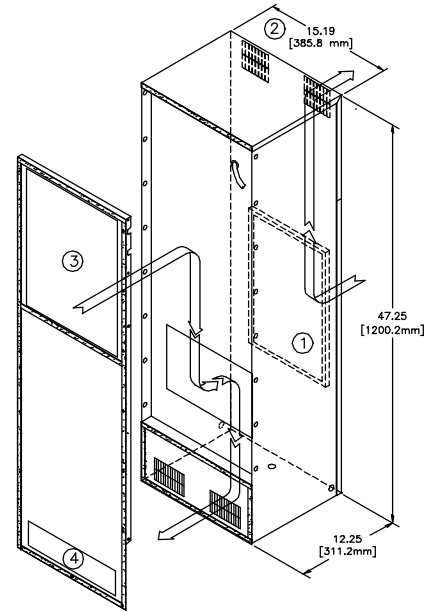


MOUNTING PLAN



M-TAB DETAIL

- ① CONDENSER INLET (Ambient Air In)
- ② CONDENSER OUTLET (Warm Ambient Air Out)
- ③ WARM AIR RETURN FROM ELECTRONICS
- ④ COOL AIR OUTLET TO ELECTRONICS



30 PENNINGTON-HOPEWELL ROAD, P.O. BOX 240  
 PENNINGTON, NEW JERSEY 08534-0240  
 TEL: 609-466-3400 FAX: 609-466-1114

GENERAL ARRANGEMENT  
 TRIMLINE NP47 AIR-COOLED  
 PANEL-MOUNTED AIR CONDITIONER  
 KA4C\_NP47R

DATE	DRAWN	T.R.	DWG. NO.	REV.
12/18/95			GA000201	A

DIMENSIONS, INCHES [METRIC], ARE FOR REFERENCE ONLY AND SUBJECT TO CHANGE.

THIS DOCUMENT IS PROPERTY OF KOOLTRONIC, INC. AND CONTAINS PROPRIETARY AND CONFIDENTIAL INFORMATION WHICH MUST NOT BE DUPLICATED, USED OR DISCLOSED OTHER THAN AS EXPRESSLY AUTHORIZED BY KOOLTRONIC, INC.