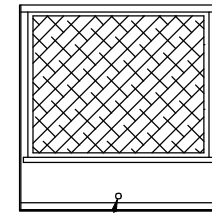
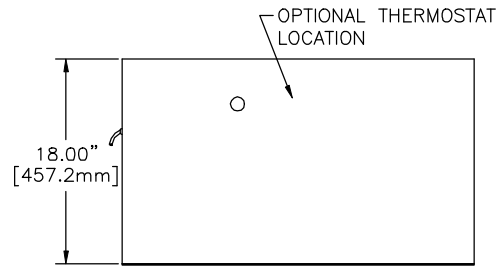
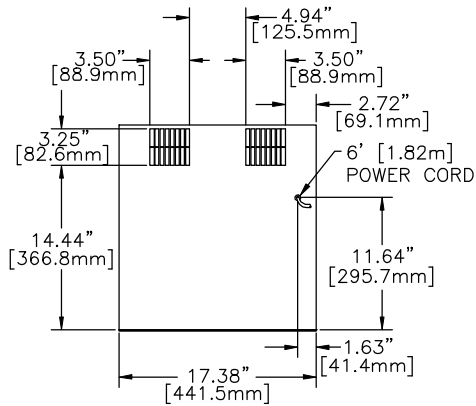
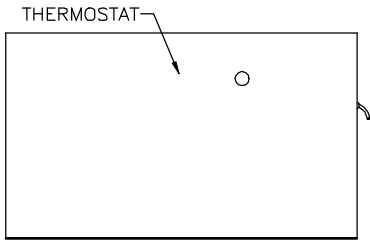
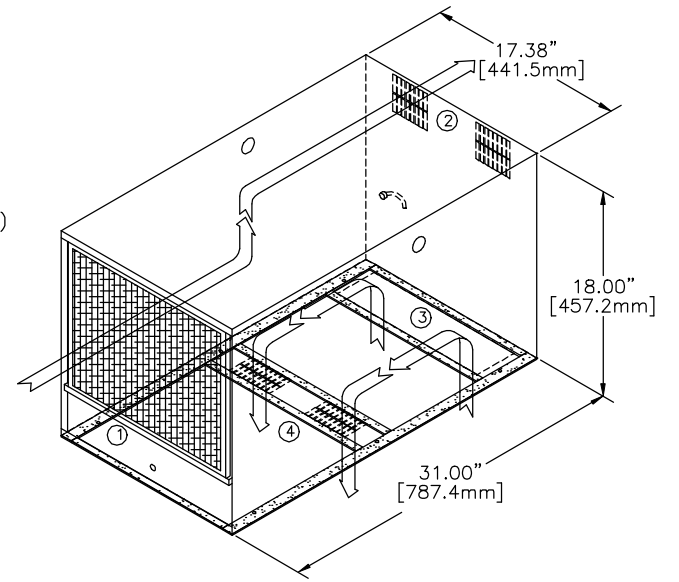
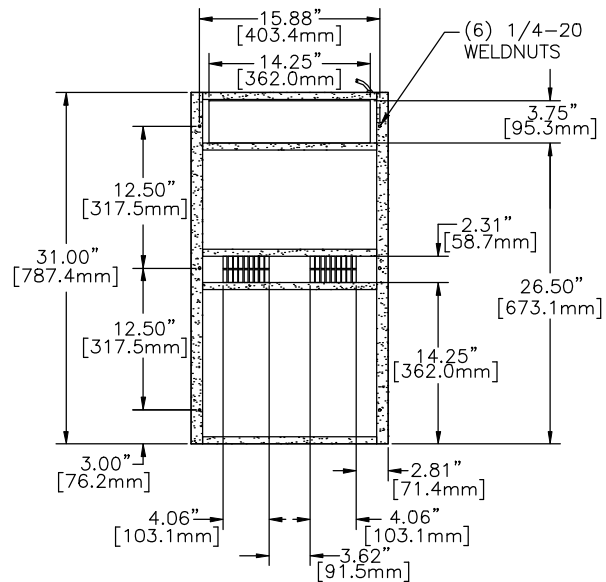


- ① CONDENSER INLET (AMBIENT AIR IN)
- ② CONDENSER OUTLET (WARM AMBIENT AIR OUT)
- ③ WARM AIR RETURN FROM ELECTRONICS
- ④ COOL AIR OUTLET TO ELECTRONICS



5' [1.52m] CONDENSATE DRAIN TUBING



DIMENSIONS ARE FOR REFERENCE ONLY AND SUBJECT TO CHANGE.



57 HAMILTON AVE., P.O. BOX 300  
 HOPENELL, NEW JERSEY 08525-0300  
 TEL: 609-466-3400 FAX: 609-466-1114

KA3C7-12HTR  
 TOP MOUNT  
 AIR CONDITIONER